

PROJECT
**UIG HARBOUR
 REDEVELOPMENT**

CLIENT
**THE HIGHLAND
 COUNCIL**
 GLENURQUHART ROAD, INVERNESS,
 IV3 5NX
 01349 886 606 tel
CONSULTANT

AECOM
 7th Floor, Aurora
 120 Bothwell Street
 Glasgow G2 7JS
 T: 0141 248 0300 F: 0141 248 0303
 www.aecom.com
NOTES

1. ALL DIMENSIONS IN METRES UNLESS OTHERWISE NOTED. DO NOT SCALE.
2. ALL LEVELS IN METRES AND REDUCED TO CHART DATUM UNLESS OTHERWISE NOTED.
3. THIS DRAWING TO BE READ IN CONJUNCTION WITH UHRD-ACM-ZZ-GE-MT-10120.
4. CONTOURS HAVE BEEN GENERATED FROM ASPECT BATHYMETRIC SURVEY CARRIED OUT 14/12/2017 AND TOPOGRAPHIC SURVEY CARRIED OUT BY PROPERTY & LAND SURVEYS (HDLs) LTD ON 09/02/2017.

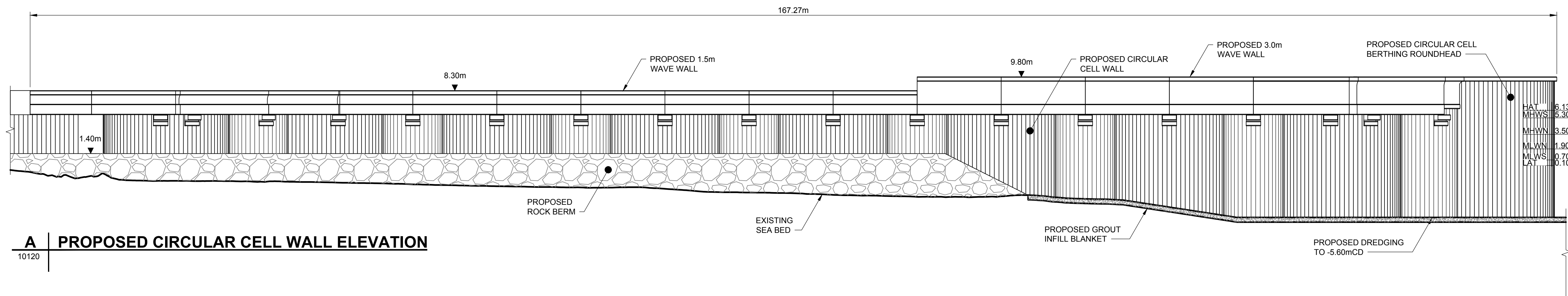
WORK IN PROGRESS
FOR INFORMATION ONLY

ISSUE/REVISION		
P01	18/02/19	First Issue
I/R	DATE	DESCRIPTION

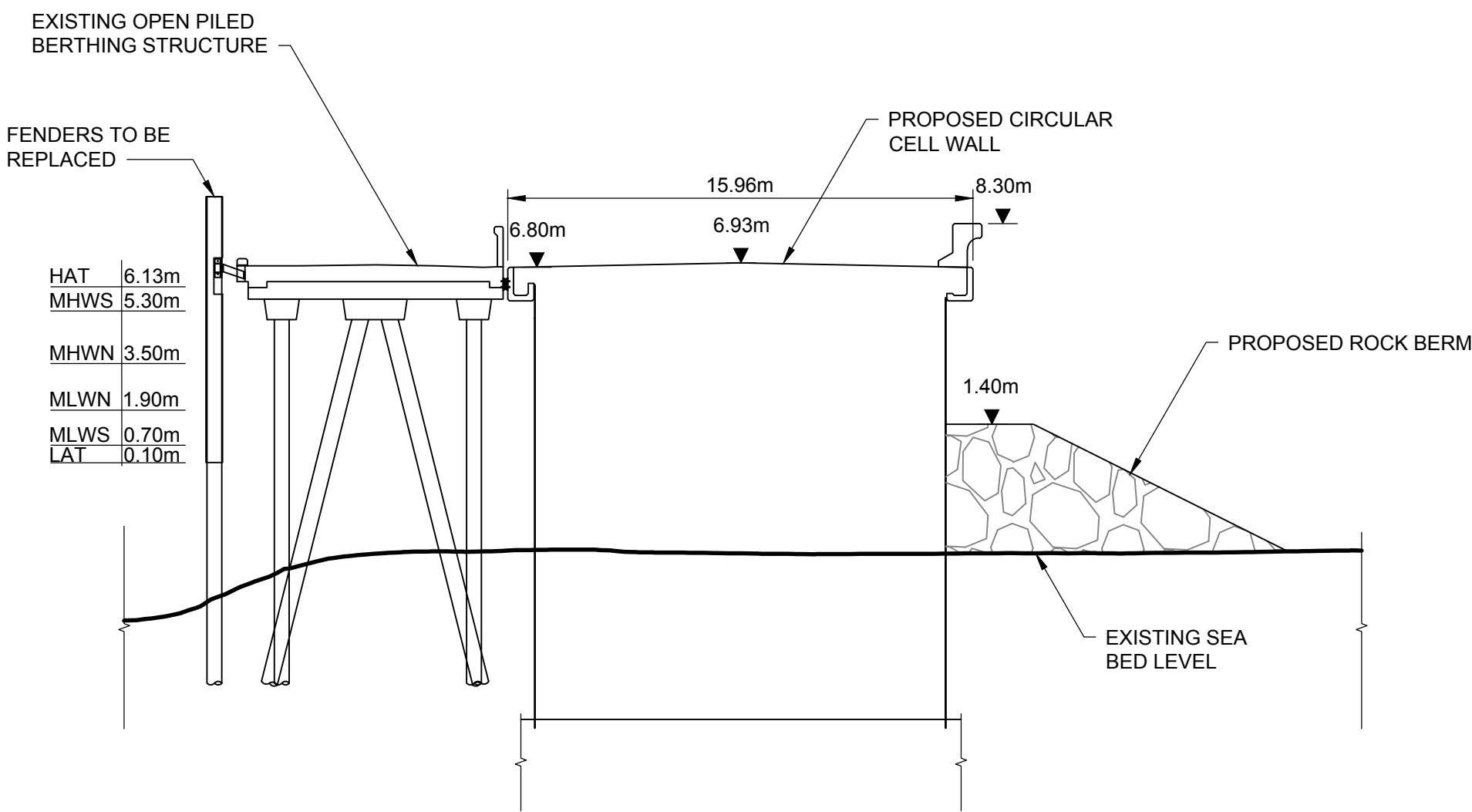
PROJECT NUMBER
 60536743
SHEET TITLE
 MARINE LICENCE
 PROPOSED
 SITE PLAN
SHEET NUMBER
 UHRD-ACM-ZZ-GE-DR-MT-10121

This drawing has been prepared for the use of AECOM's client. It may not be used, modified, reproduced or relied upon by third parties, except as required by law. AECOM accepts no responsibility and denies any liability whatsoever to any party that uses or relies on this drawing without AECOM's express written consent. Do not scale this document. All measurements must be obtained from the stated dimensions.

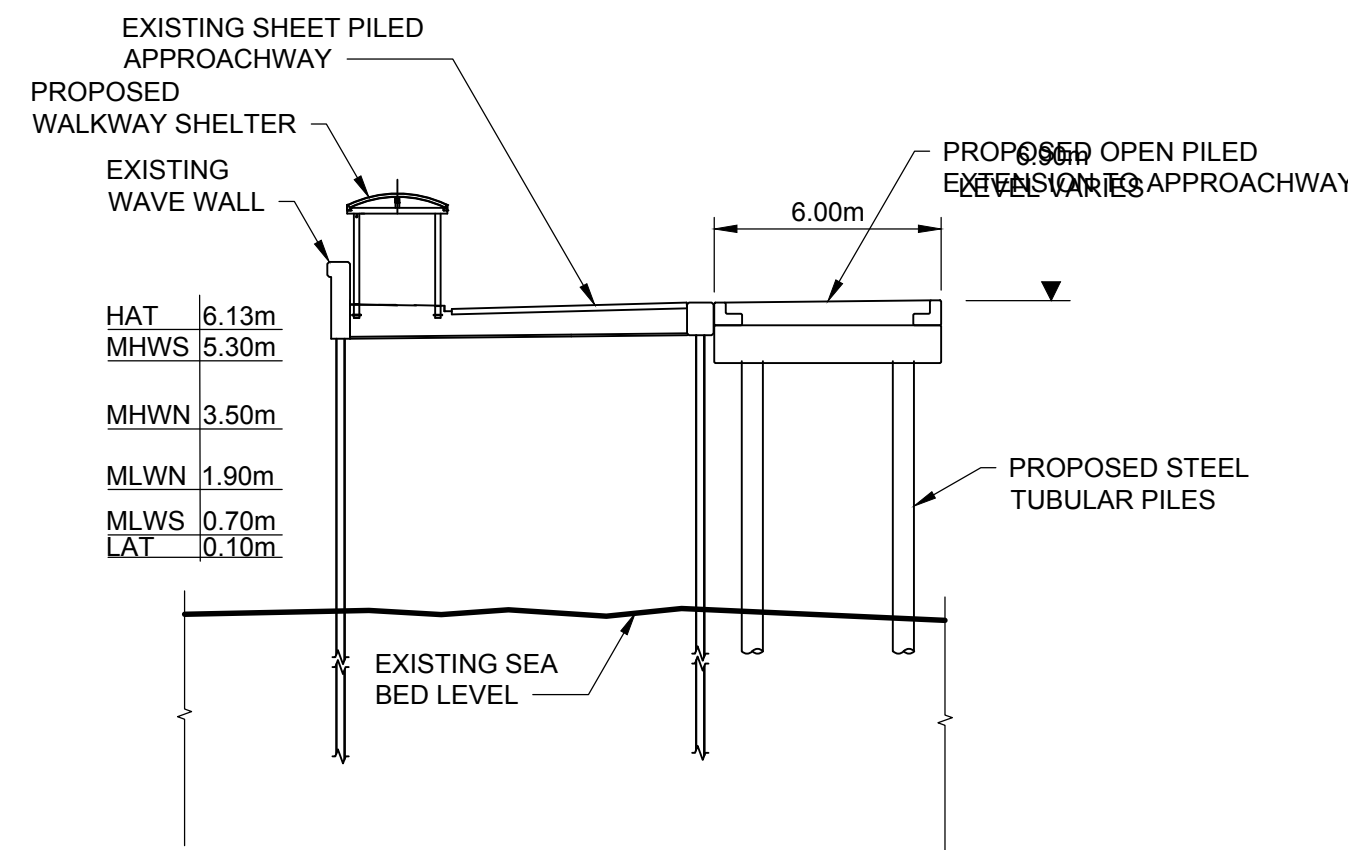
1. ALL DIMENSIONS IN METRES UNLESS OTHERWISE NOTED. DO NOT SCALE.
2. ALL LEVELS IN METRES AND REDUCED TO CHART DATUM UNLESS OTHERWISE NOTED.
3. THIS DRAWING TO BE READ IN CONJUNCTION WITH UHRD-ACM-ZZ-GE-MT-10121.



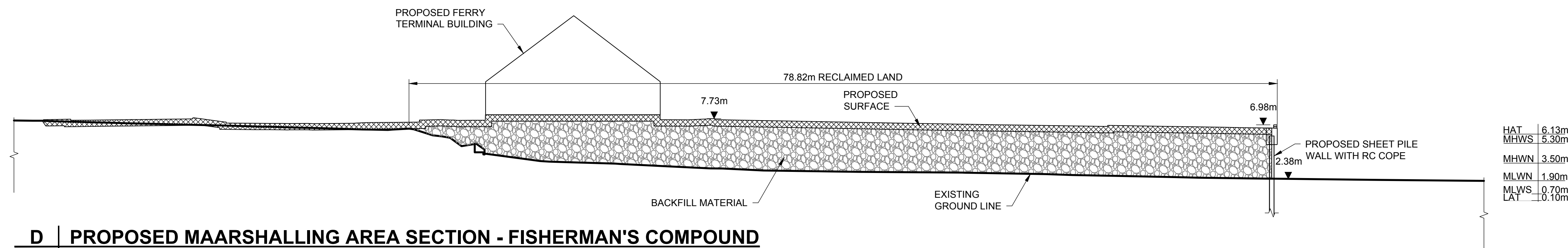
A PROPOSED CIRCULAR CELL WALL ELEVATION



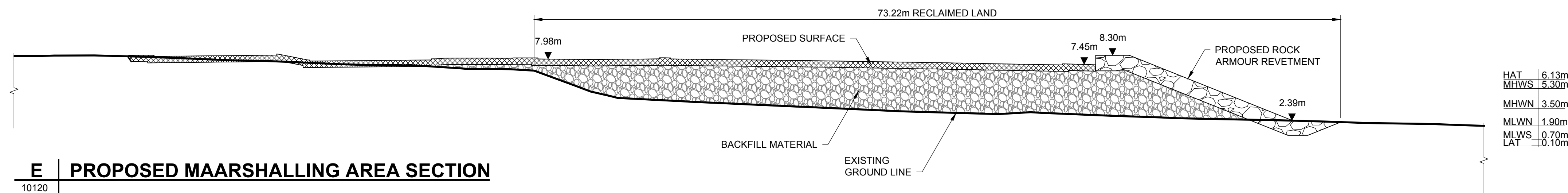
B PROPOSED BERTHING STRUCTURE SECTION



C PROPOSED APPROACHWAY SECTION



D PROPOSED MAARSHALLING AREA SECTION - FISHERMAN'S COMPOUND



E PROPOSED MAARSHALLING AREA SECTION

WORK IN PROGRESS

FOR INFORMATION ONLY

ISSUE/REVISION		
I/R	DATE	DESCRIPTION
P01	18/02/19	First Issue

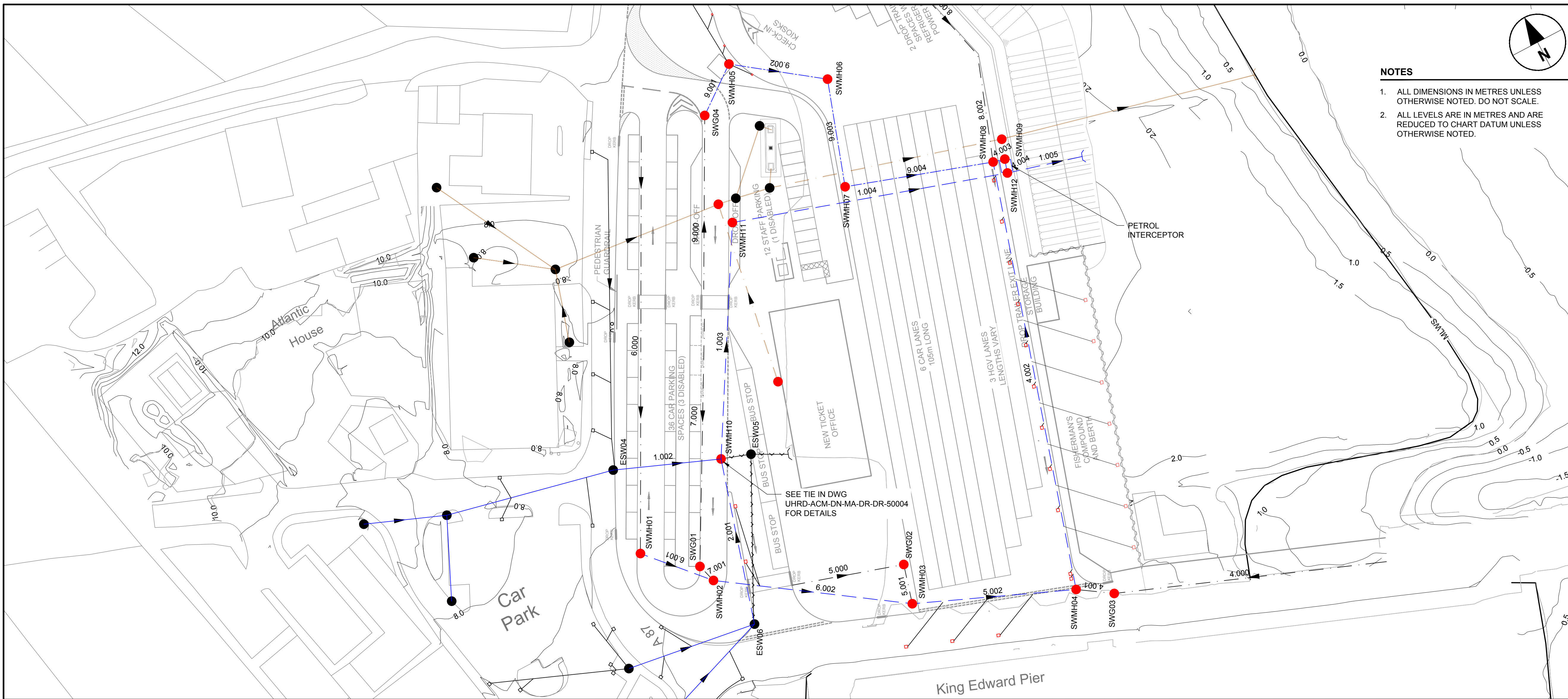
PROJECT NUMBER
 60536743

SHEET TITLE
 MARINE LICENCE
 PROPOSED
 SECTIONS

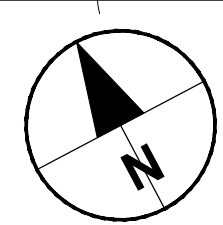
SHEET NUMBER
 UHRD-ACM-ZZ-GE-DR-MT-10122

ISO A1 594mm x 841mm
 Approved: PMW
 Checked: PMW
 Designer: DM
 Project Management Initials: P01
 Revision:
 Last saved by: KIRKWOOD (2019-02-18) Last Plotted: 2019-02-18
 Filename: C:\WORKING\AECOM_LEUKR\W\O\DD\040366\UHRD-ACM-ZZ-GE-DR-MT-10122.DWG

This drawing has been prepared for the use of AECOM's client. It may not be used, modified, reproduced or relied upon by third parties, except as agreed by AECOM or as required by law. AECOM accepts no responsibility, and denies any liability whatsoever, to any party that uses or relies on this drawing without AECOM's express written consent. Do not scale this document. All measurements must be obtained from the stated dimensions.



- NOTES**
1. ALL DIMENSIONS IN METRES UNLESS OTHERWISE NOTED. DO NOT SCALE.
 2. ALL LEVELS ARE IN METRES AND ARE REDUCED TO CHART DATUM UNLESS OTHERWISE NOTED.



AECOM

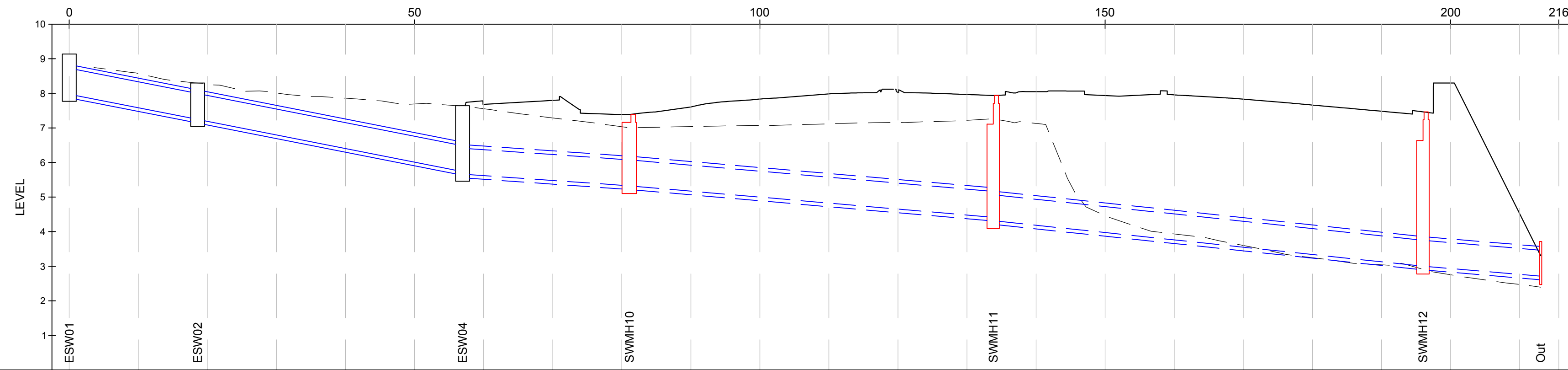
PROJECT
UIG HARBOUR REDEVELOPMENT

CLIENT
THE HIGHLAND COUNCIL
 GLENURQUHART ROAD, INVERNESS,
 IV3 5NX
 01349 886 606 tel
CONSULTANT

AECOM
 7th Floor, Aurora
 120 Bothwell Street
 Glasgow G2 7JS
 T:0141 248 0300 F:0141 248 0303
 www.aecom.com

- LEGEND**
- PROPOSED FOUL SEWER
 - EXISTING FOUL SEWER
 - - - - PROPOSED SURFACE WATER SEWER
 - - - - EXISTING SURFACE WATER SEWER
 - - - - PROPOSED CHANNEL DRAIN
 - ESW EXISTING SURFACE WATER MANHOLE/GULLY POT
 - SWMH PROPOSED SURFACE WATER MANHOLE/GULLY POT
 - EF EXISTING FOUL WATER MANHOLE
 - PF PROPOSED FOUL WATER MANHOLE
 - { } OFFFALL
 - PROPOSED GULLY
 - EXISTING GULLY

PLAN
 Scale 1:500

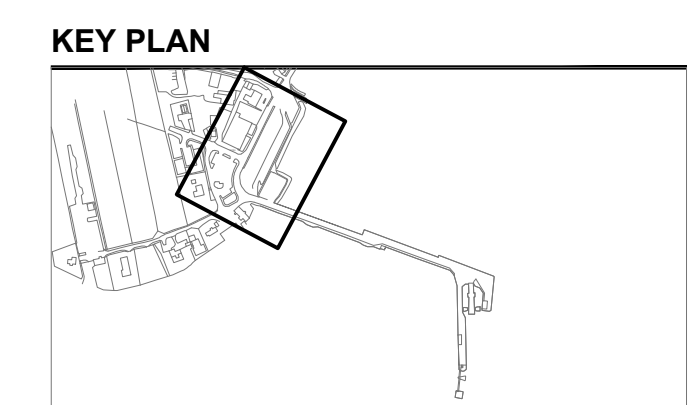


PROPOSED GROUND LEVELS	EXISTING GROUND LEVELS	INVERT LEVELS	COVER (m)	PIPE DIA, MATERIAL AND SLOPE	CHAINAGE
				Ø750 mm Existing RCP Pipe @ 1.25 (3.923%)	0.000
	8.56	7.975			10.000
	8.27	7.546		Ø750 mm Existing RCP Pipe @ 1.25 (3.923%)	18.583
	8.01	7.246			20.000
	7.86				30.000
	7.69				40.000
	7.56	5.637		Ø750 mm Existing RCP Pipe @ 1.72 (3.922%)	56.983
	7.29	5.362			60.000
	7.03	5.206	1.21		69.983
	7.04	5.326			80.000
	7.07			Ø750 mm RCP Pipe @ 1.58 (1.731%)	100.000
	7.12				110.000
	7.16				120.000
	7.22	4.414	2.67		133.795
	7.13	4.317	2.76		140.000
	4.46			Ø750 mm RCP Pipe @ 1.47 (2.116%)	150.000
	3.93				160.000
	3.60				170.000
	3.25				180.000
	3.04				190.000
	2.75	3.000	3.61	Ø750 mm RCP Pipe @ 1.60 (1.678%)	196.023
	2.47	3.000	3.61		200.000
	4.53	2.714	-0.27		210.000
					213.064
					215.683

WORK IN PROGRESS
FOR INFORMATION ONLY

ISSUE/REVISION

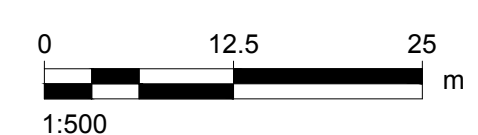
NO.	DATE	DESCRIPTION
P01	18/02/19	First Issue
I/R	DATE	DESCRIPTION



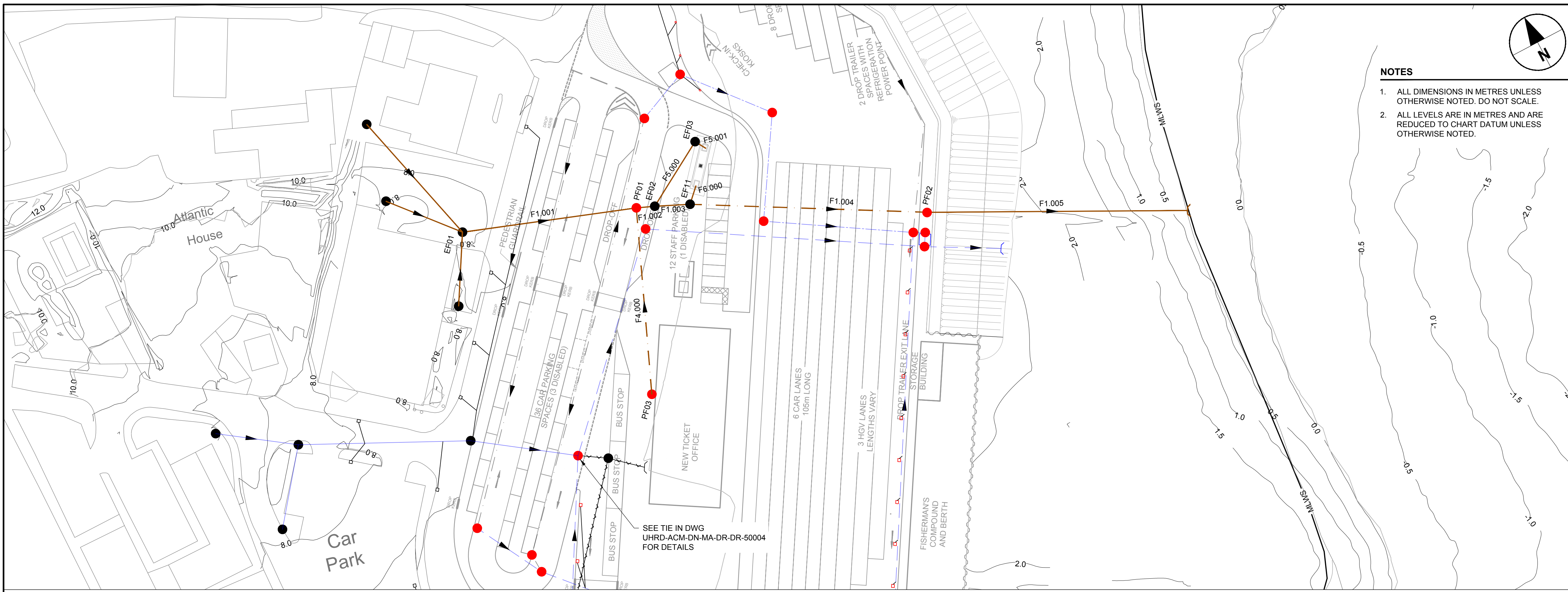
PROJECT NUMBER
 60536743

SHEET TITLE
 MARINE LICENCE MARSHALLING AREA SURFACE WATER SEWER PLAN & SECTION

SHEET NUMBER
 UHRD-ACM-ZZ-GE-DR-MT-10150



This drawing has been prepared for the use of AECOM's client. It may not be used, modified, reproduced or relied upon by third parties, except as agreed by AECOM or as required by law. AECOM accepts no responsibility, and denies any liability whatsoever, to any party that uses or relies on this drawing without AECOM's express written consent. Do not scale this document. All measurements must be obtained from the stated dimensions.



NOTES

1. ALL DIMENSIONS IN METRES UNLESS OTHERWISE NOTED. DO NOT SCALE.
2. ALL LEVELS ARE IN METRES AND ARE REDUCED TO CHART DATUM UNLESS OTHERWISE NOTED.

AECOM

PROJECT
UIG HARBOUR REDEVELOPMENT

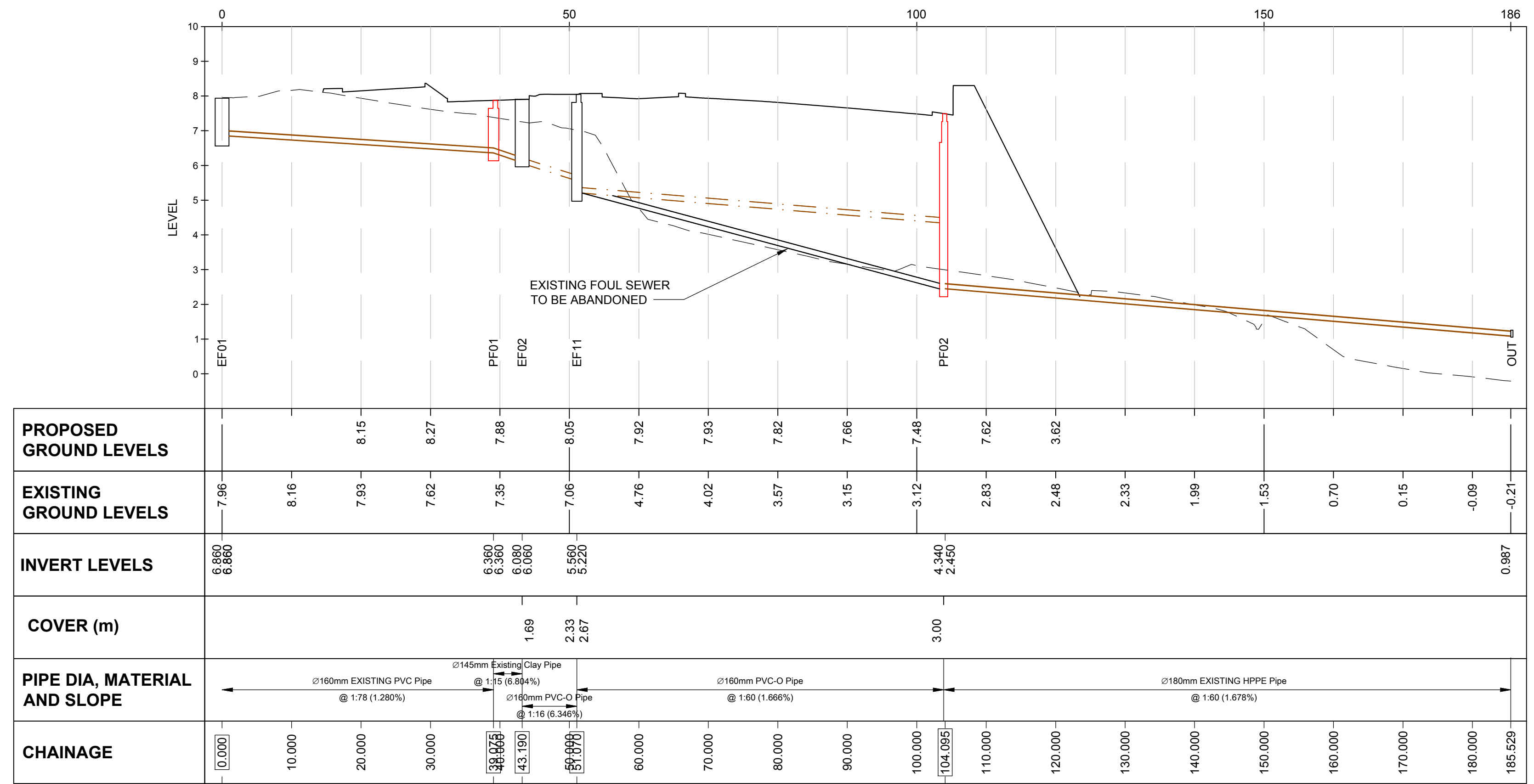
CLIENT
THE HIGHLAND COUNCIL
 GLENURQUHART ROAD, INVERNESS,
 IV3 5NX
 01349 886 606 tel
CONSULTANT

AECOM
 7th Floor, Aurora
 120 Bothwell Street
 Glasgow G2 7JS
 T: 0141 248 0300 F: 0141 248 0303
 www.aecom.com

LEGEND

- PROPOSED FOUL SEWER
- EXISTING FOUL SEWER
- PROPOSED SURFACE WATER SEWER
- EXISTING SURFACE WATER SEWER
- PROPOSED CHANNEL DRAIN
- ESW EXISTING SURFACE WATER MANHOLE/GULLY POT
- SWMH PROPOSED SURFACE WATER MANHOLE/GULLY POT
- EF EXISTING FOUL WATER MANHOLE
- PF PROPOSED FOUL WATER MANHOLE
- { } OFFFALL
- PROPOSED GULLY
- EXISTING GULLY

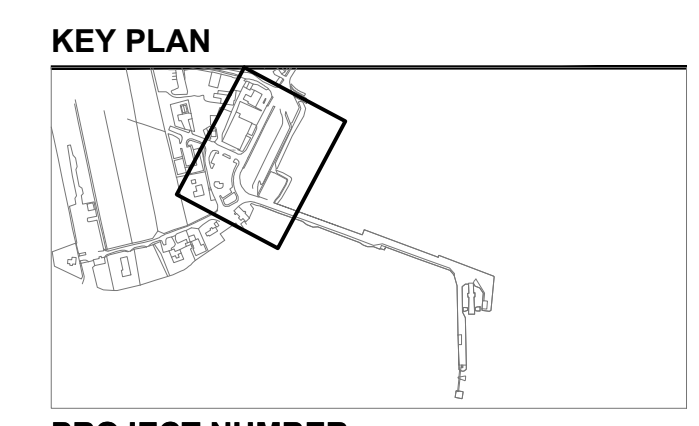
PLAN
 Scale 1:500



WORK IN PROGRESS
FOR INFORMATION ONLY

ISSUE/REVISION

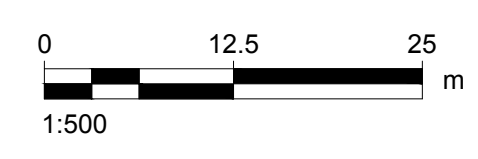
NO	DATE	DESCRIPTION
P01	18/02/19	First Issue
I/R		



PROJECT NUMBER
 60536743

SHEET TITLE
 MARINE LICENCE
 MARSHALLING AREA
 FOUL WATER SEWER
 PLAN & SECTION

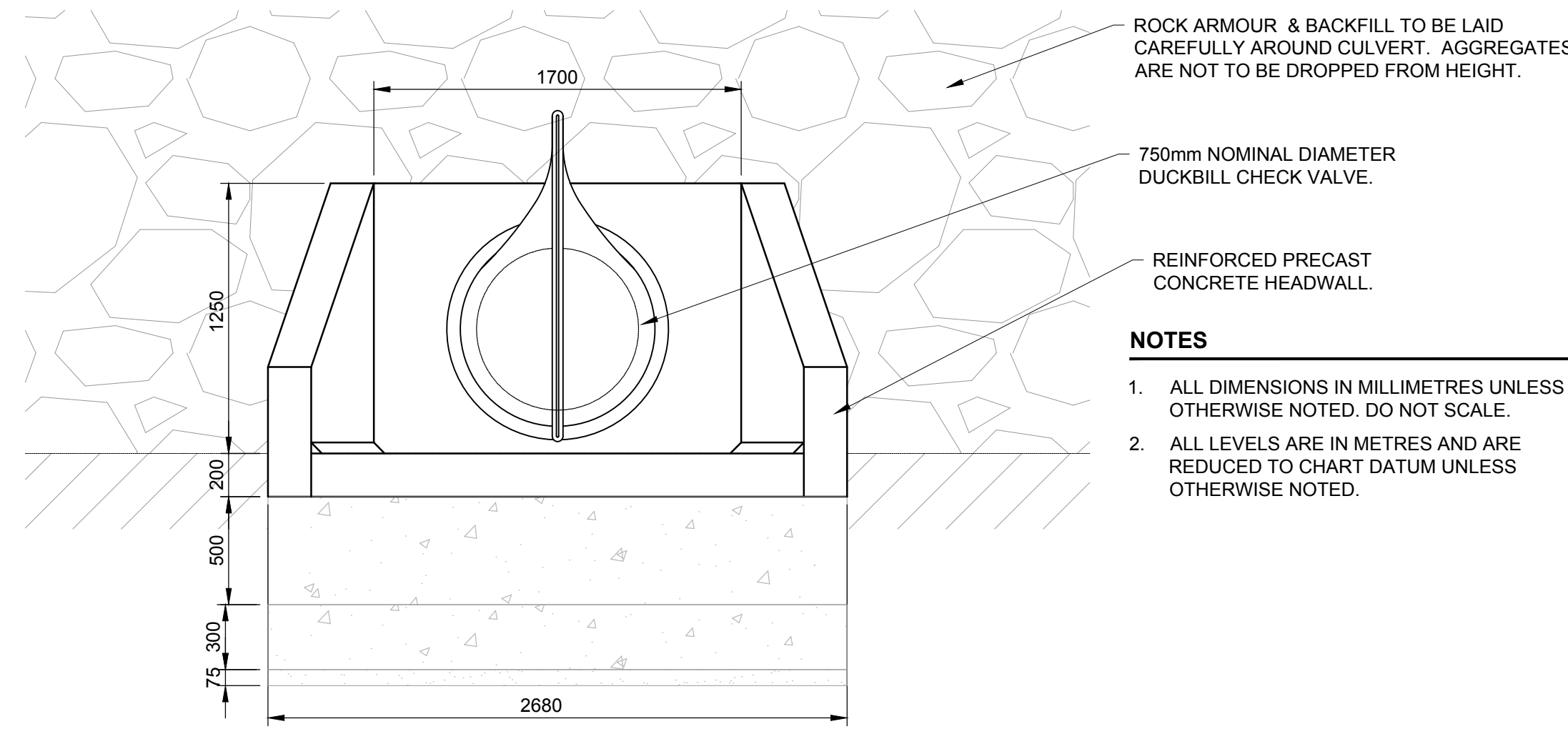
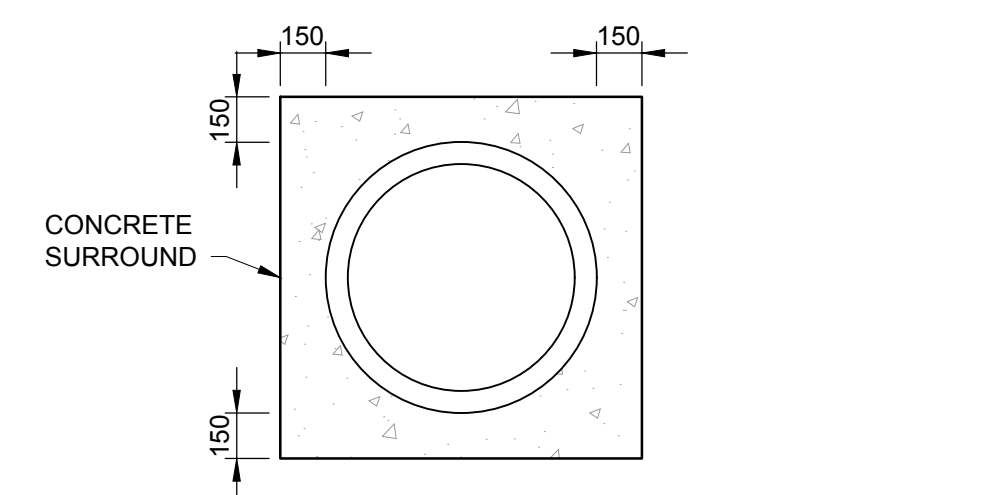
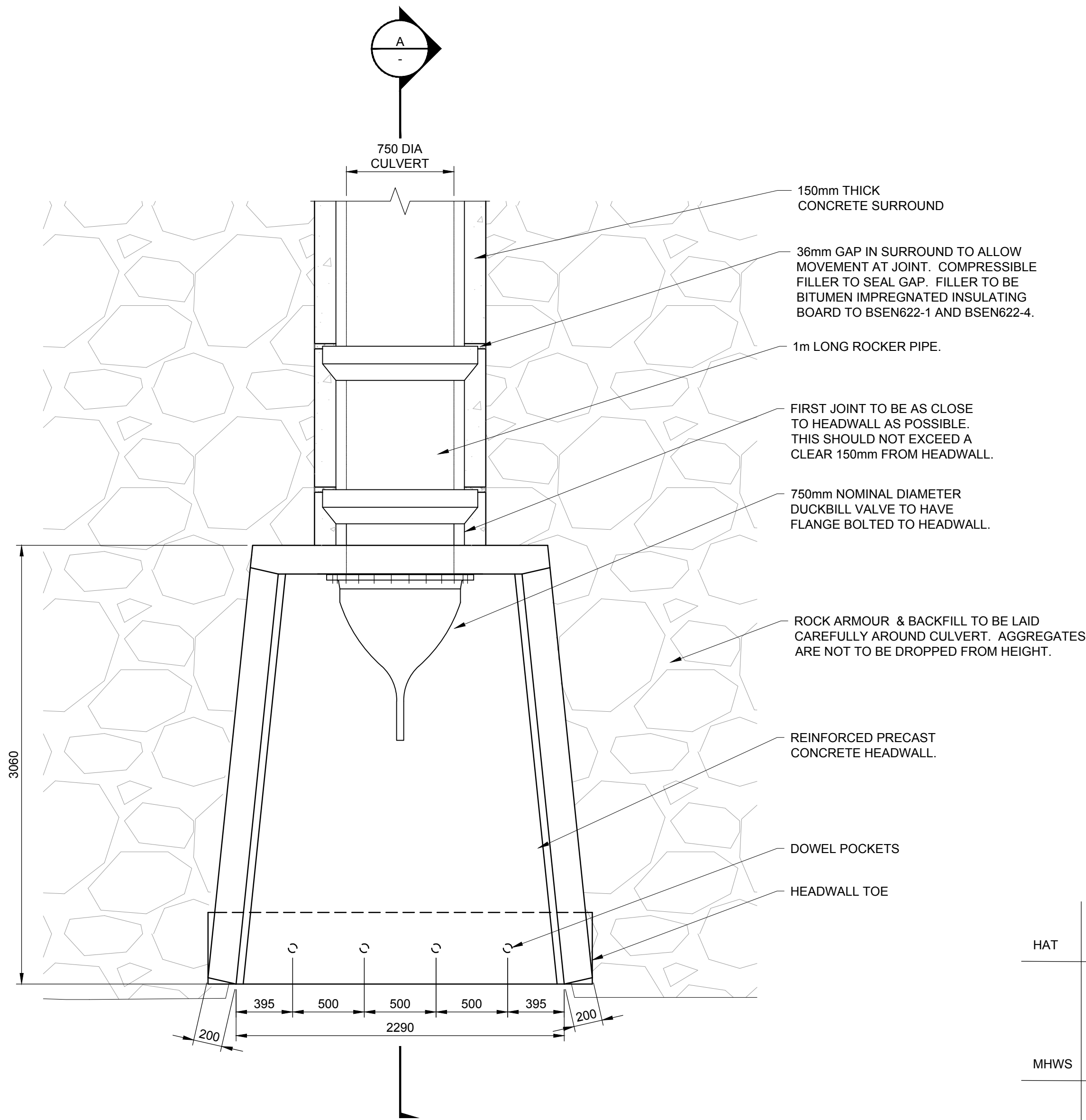
SHEET NUMBER
 UHRD-ACM-ZZ-GE-DR-MT-10151



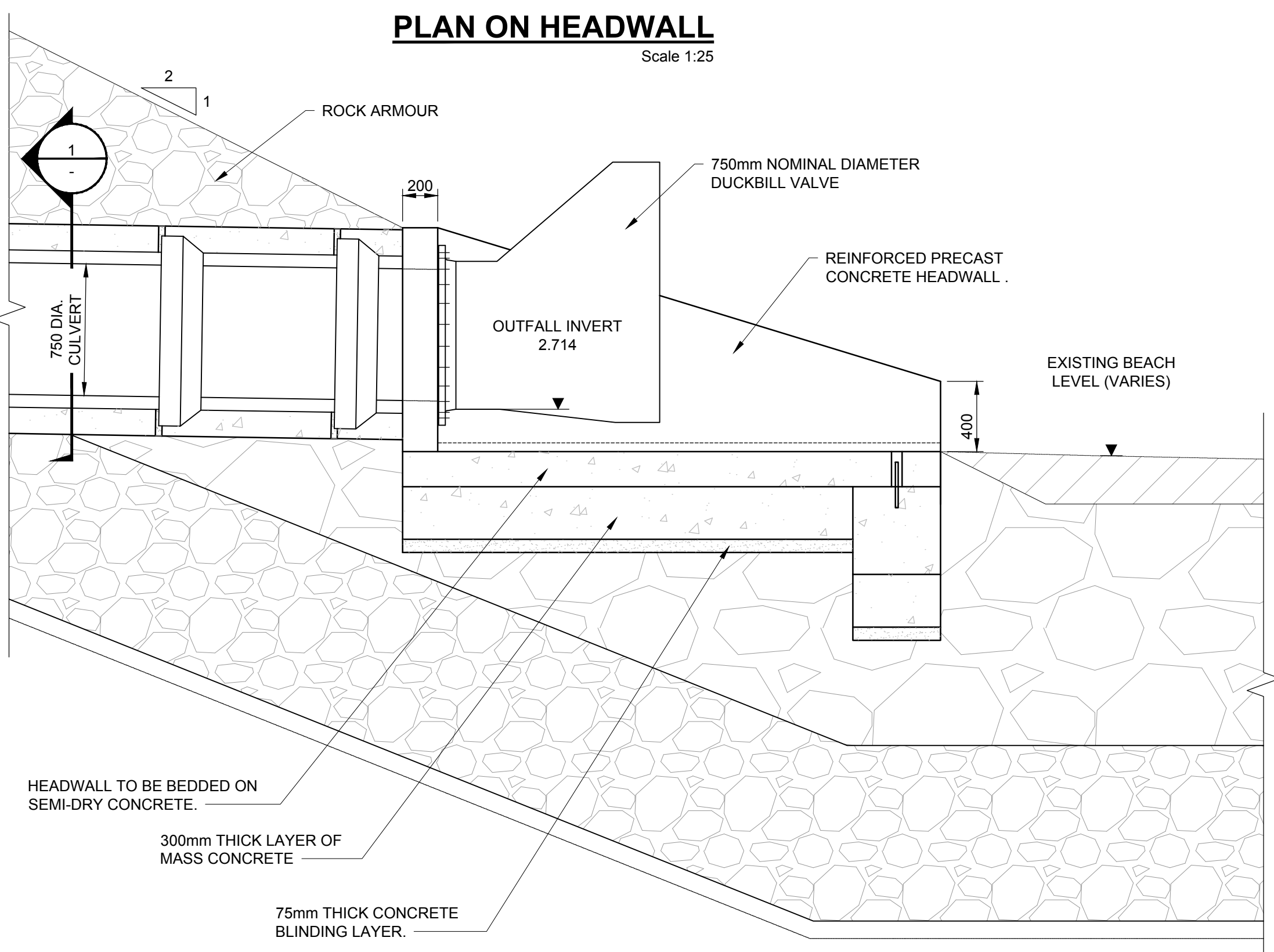
This drawing has been prepared for the use of AECOM's client. It may not be used, modified, reproduced or relied upon by third parties, except as agreed by AECOM or as required by law. AECOM accepts no responsibility, and denies any liability whatsoever, to any party that uses or relies on this drawing without AECOM's express written consent. Do not scale this document. All measurements must be obtained from the stated dimensions.

ISO A1 594mm x 841mm Approved: PMW Checked: PMW Designer: DM P01 Project Management Initials: Revision: Last saved by: KIRKWOOD(2019-02-18) Last Plotted: 2019-02-18 Filename: C:\WORKING\AECOM_LEUKRWOOD\DDDD\040366UHRD-ACM-ZZ-GE-DR-MT-10152.DWG

This drawing has been prepared for the use of AECOM's client. It may not be used, modified, reproduced or relied upon by third parties, except as agreed by AECOM or as required by law. AECOM accepts no responsibility, and denies any liability whatsoever, to any party that uses or relies on this drawing without AECOM's express written consent. Do not scale this document. All measurements must be obtained from the stated dimensions.



- NOTES**
- ALL DIMENSIONS IN MILLIMETRES UNLESS OTHERWISE NOTED. DO NOT SCALE.
 - ALL LEVELS ARE IN METRES AND ARE REDUCED TO CHART DATUM UNLESS OTHERWISE NOTED.



HAT	6.13m
MHWS	5.30m
MHWN	3.50m
MLWN	1.90m
MLWS	0.70m
LAT	0.10m

**WORK IN PROGRESS
FOR INFORMATION ONLY**

ISSUE/REVISION	DATE	DESCRIPTION
P01	18/02/19	First Issue
I/R	DATE	DESCRIPTION

