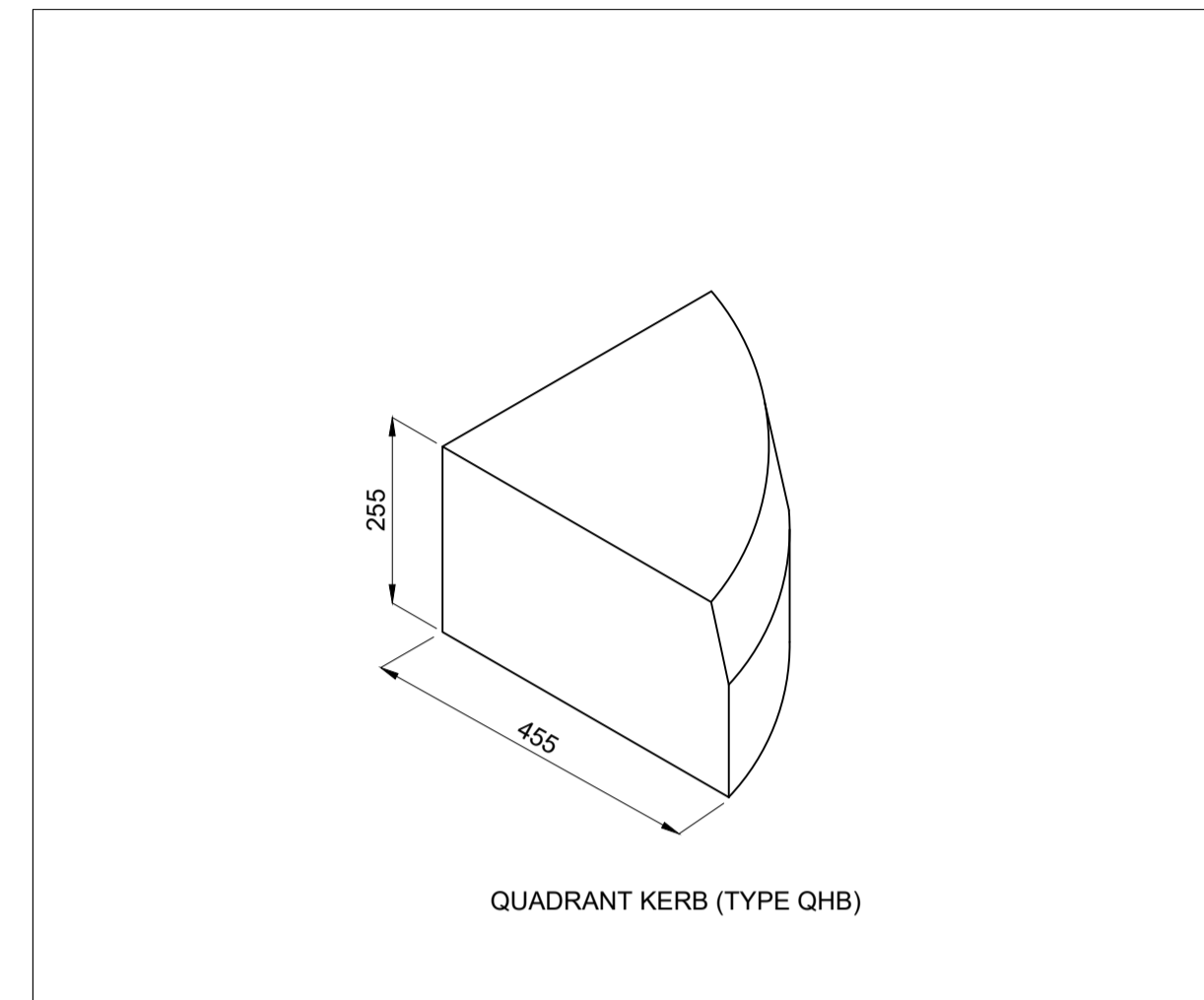
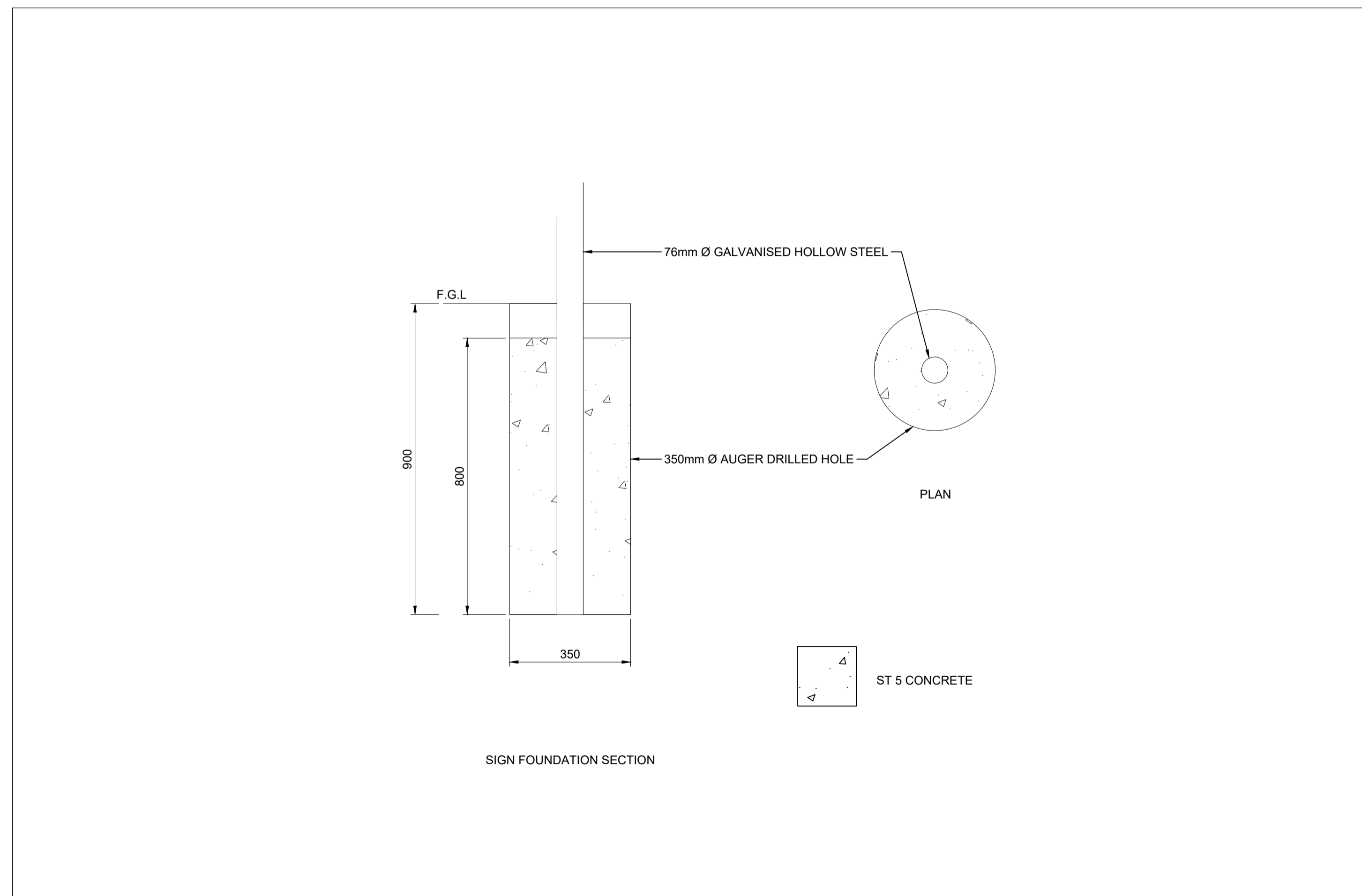


DETAIL 01  
SCALE 1:10



DETAIL 02  
SCALE 1:10



DETAIL 03  
SCALE 1:10

COPYRIGHT, DESIGNS and PATENTS ACT 1988:  
THIS DRAWING MAY NOT BE REPRODUCED, COPIED OR USED IN ANY WAY WITHOUT THE WRITTEN PERMISSION OF THE DIRECTOR OF DEVELOPMENT AND INFRASTRUCTURE.  
© THE HIGHLAND COUNCIL  
© CROWN COPYRIGHT AND DATABASE RIGHTS 2019 OS 100023369. YOU ARE GRANTED A NON-EXCLUSIVE, ROYALTY FREE, REVOCABLE LICENCE SOLELY TO VIEW THE LICENSED DATA FOR NON-COMMERCIAL PURPOSES FOR THE PERIOD WHICH THE HIGHLAND COUNCIL MAKES IT AVAILABLE. YOU ARE NOT PERMITTED TO COPY, SUB-LICENSE, DISTRIBUTE, SELL OR OTHERWISE MAKE AVAILABLE THE LICENSED DATA TO THIRD PARTIES IN ANY FORM. THIRD PARTY RIGHTS TO ENFORCE THE TERMS OF THIS LICENCE SHALL BE RESERVED TO THE OS.

DO NOT SCALE FROM DRAWING.  
ALL DIMENSIONS ARE IN mm UNLESS OTHERWISE STATED.

NOTES

- 

CONSULTATION  
ISSUE

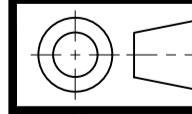
01	CONSULTATION ISSUE	CF	BS	09/02/21
REV	REVISION DETAILS	DRAWN BY	CHECK BY	DATE

  
**The Highland Council**  
 Comhairle na Gàidhealtachd  
**INFRASTRUCTURE & ENVIRONMENT**  
 PROJECT DESIGN UNIT  
 COUNCIL BUILDINGS  
 HIGH STREET  
 DINGWALL IV15 9QN

PHONE: 01349 868800  
E-MAIL: PDU.DT2@highland.gov.uk

PROJECT  
**CYCLING, WALKING AND SAFER STREETS AT CRADLEHALL PRIMARY SCHOOL**

TITLE  
**TABLE & CHICANE DETAILS SHEET 2 OF 2**

	SCALE	ORIGINAL SIZE
	AS SHOWN	A1 (594 x 841)
DRAWN	CF	DATE
CHECKED	BS	DATE
		30/11/2020
		09/02/2021

PROJECT No.	YCHVS3011	
DRAWING No.	204C	REVISION 01

T:\001\_Design Team\2003\_Small\_Schemes\_Projects\HAS3001 Safer Routes To School\2020 - 2021 Schemes\Cradlehall Primary - YCHVS3011\2 DRAWINGS\CAD\Live\YCHVS3011\_LIVE\_01.dwg 09/02/2021 User1285