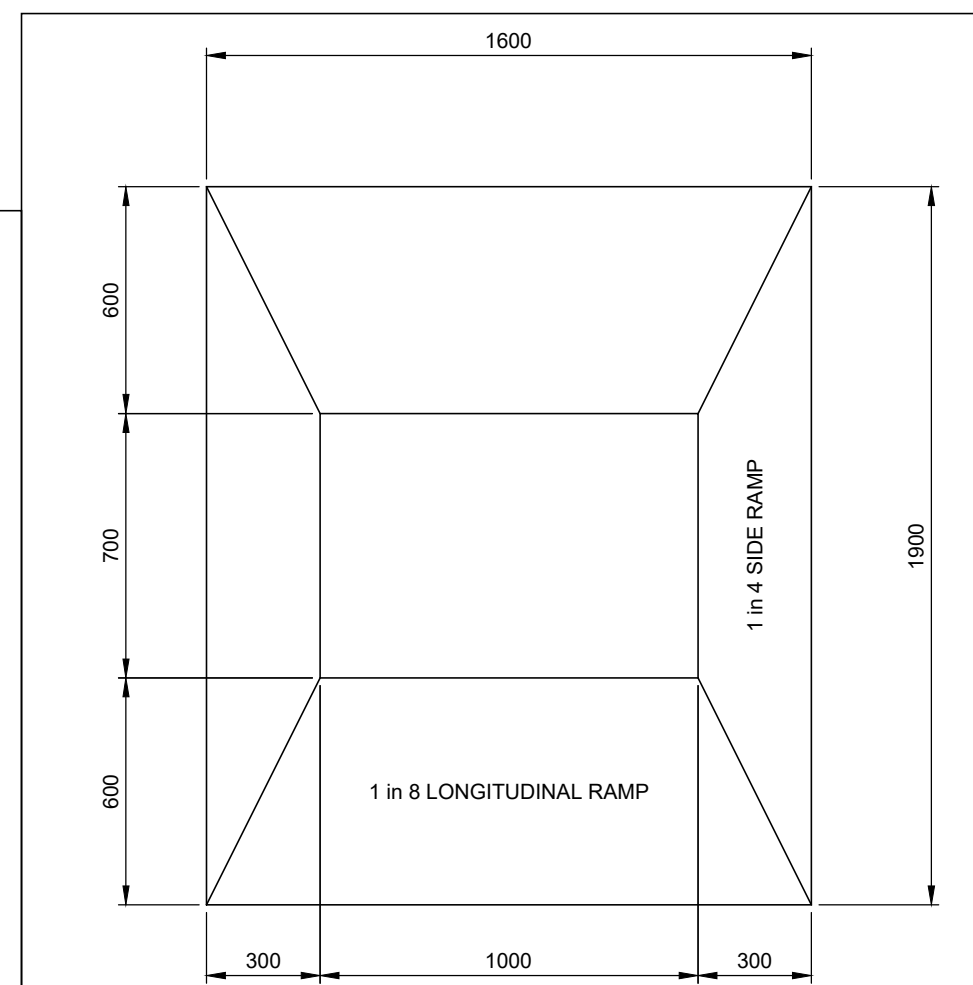


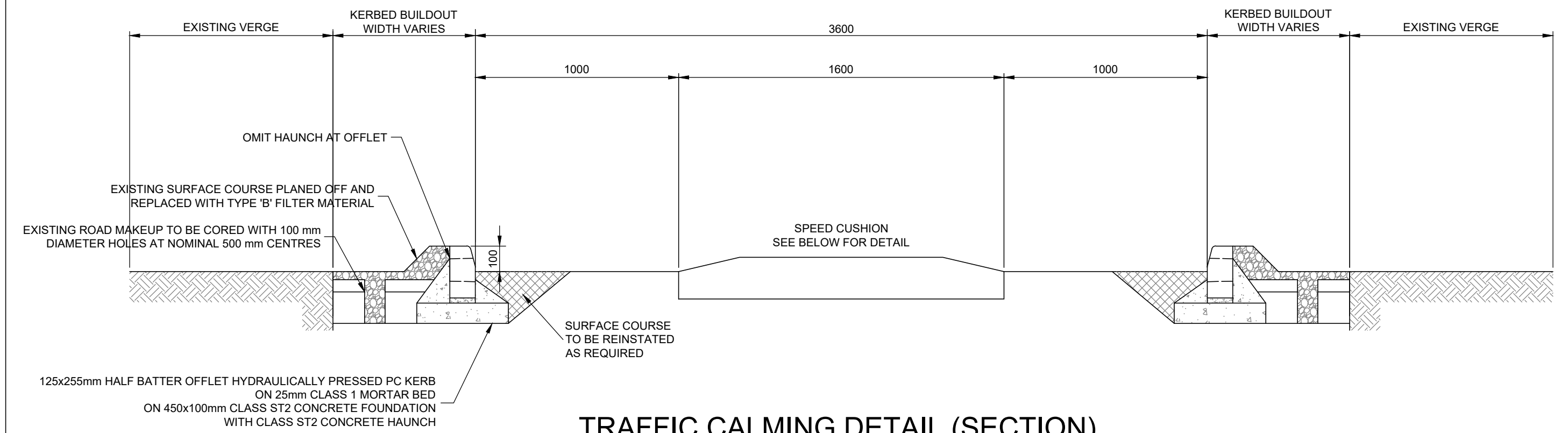
SPEED CUSHION CONSTRUCTION DETAIL

SCALE 1:20



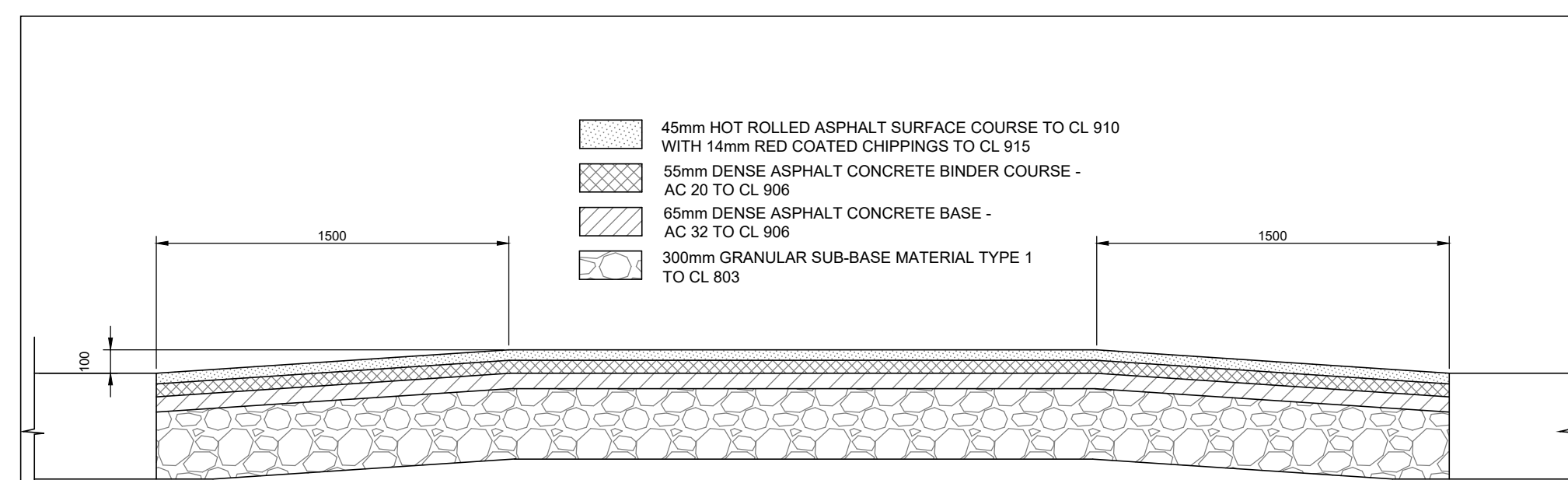
SPEED CUSHION PLAN

SCALE 1:20



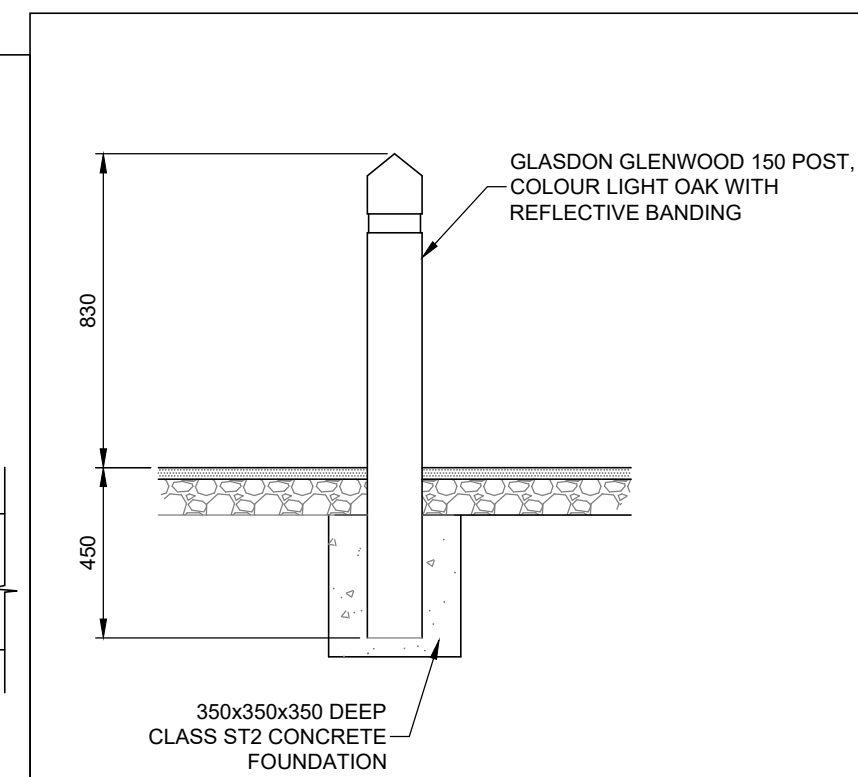
TRAFFIC CALMING DETAIL (SECTION)

SCALE 1:20



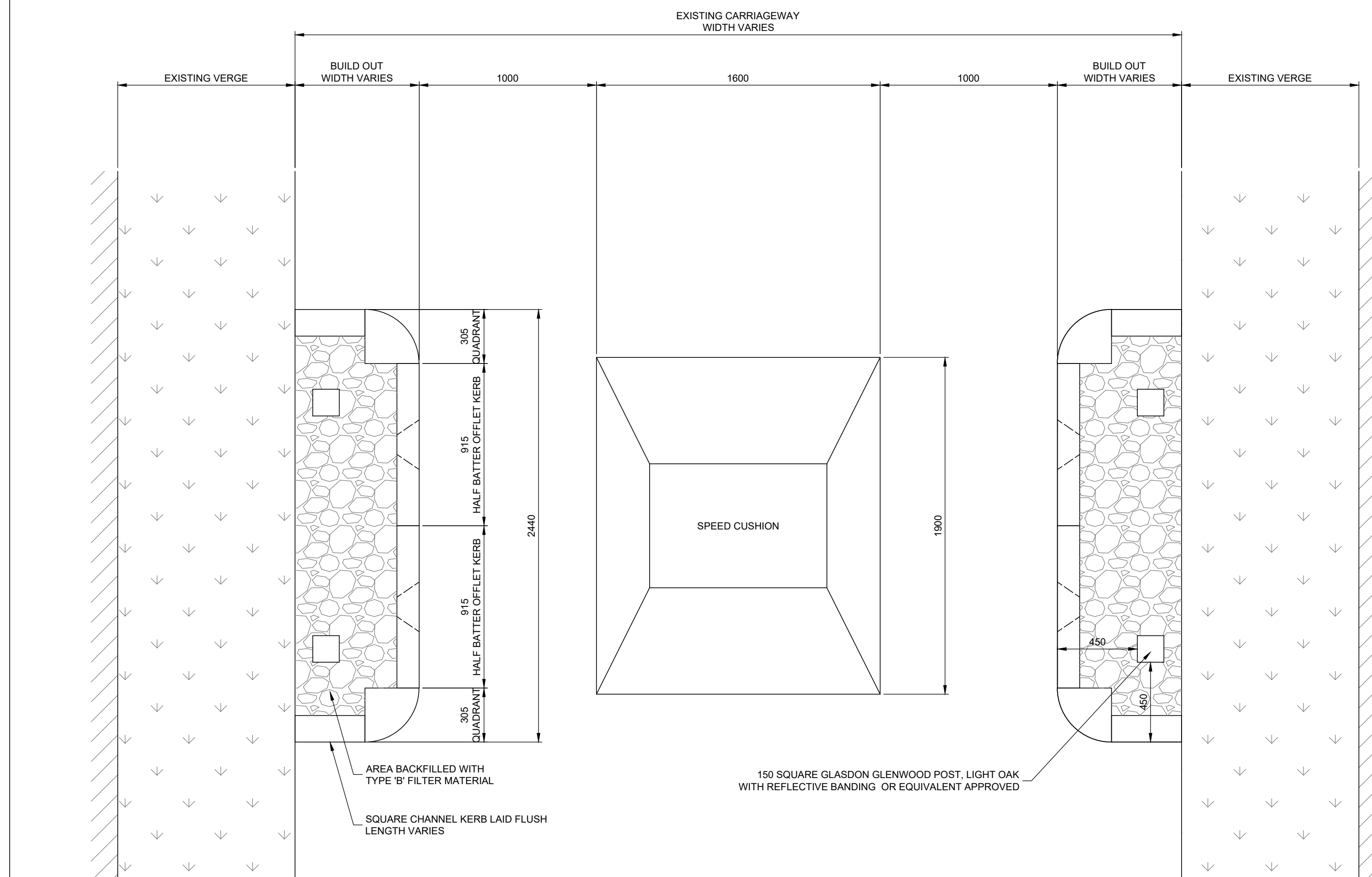
LONGITUDINAL SECTION THROUGH FLAT TOPPED ROAD HUMPS / RAISED TABLE JUNCTION

(SCALE 1:25)



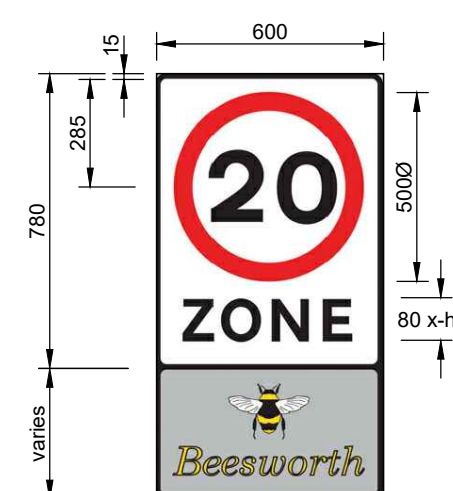
BOLLARD DETAIL

SCALE 1:20

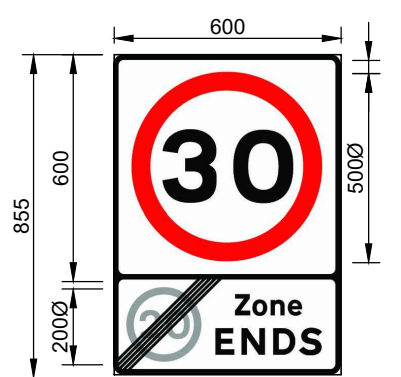


TRAFFIC CALMING DETAIL (PLAN)

SCALE 1:20



DIAG 674  
SYMBOL OMITTED  
TEXT TO READ  
'CARR ROAD'



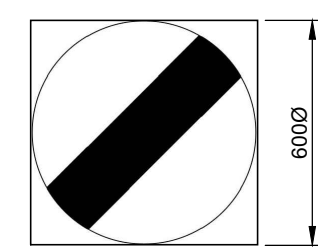
DIAG 675A



DIAG 544.1



DIAG 670



DIAG 671

Revisions	Date	Drn	Revisions	Date	Drn
G BOLLARDS REVISED, OFFLET KERBS ADDED AT BUILD OUT	08.04.21	IW	A FEATURES REVISED AND CENTRES REDUCED	28.11.19	JM
			B LAYOUT UPDATED	05.02.21	IM
			C CARR ROAD TRAFFIC CALMING REVISED TO SPEED CUSHIONS.	19.02.21	NM
			D TRAFFIC CALMING REVISED	12.03.21	NM
			E CUSHIONS AT CARR PLACE REVISED	22.03.21	NM
			F BUILD OUT ADDED AT CUSHIONS. CONSTRUCTION DETAILS ADDED.	24.03.21	IW

TULLOCH HOMES LTD

APPROVAL DRAWING

consulting engineers

**hga**

HGA(UK) Ltd  
Darach House  
Stonefield Business Park  
Inverness IV2 7PA  
T: 01463 221717  
F: 01463 224275  
email: hga@hga-group.co.uk

CARRBRIDGE

CARR ROAD  
TRAFFIC CALMING SHEET 4 OF 4

Drawn: JM Ck'd: Scale: 1:250 (A1)  
Date: NOV 2019 Date: DO NOT SCALE

Drawing No. 2407:200/04 Revision G