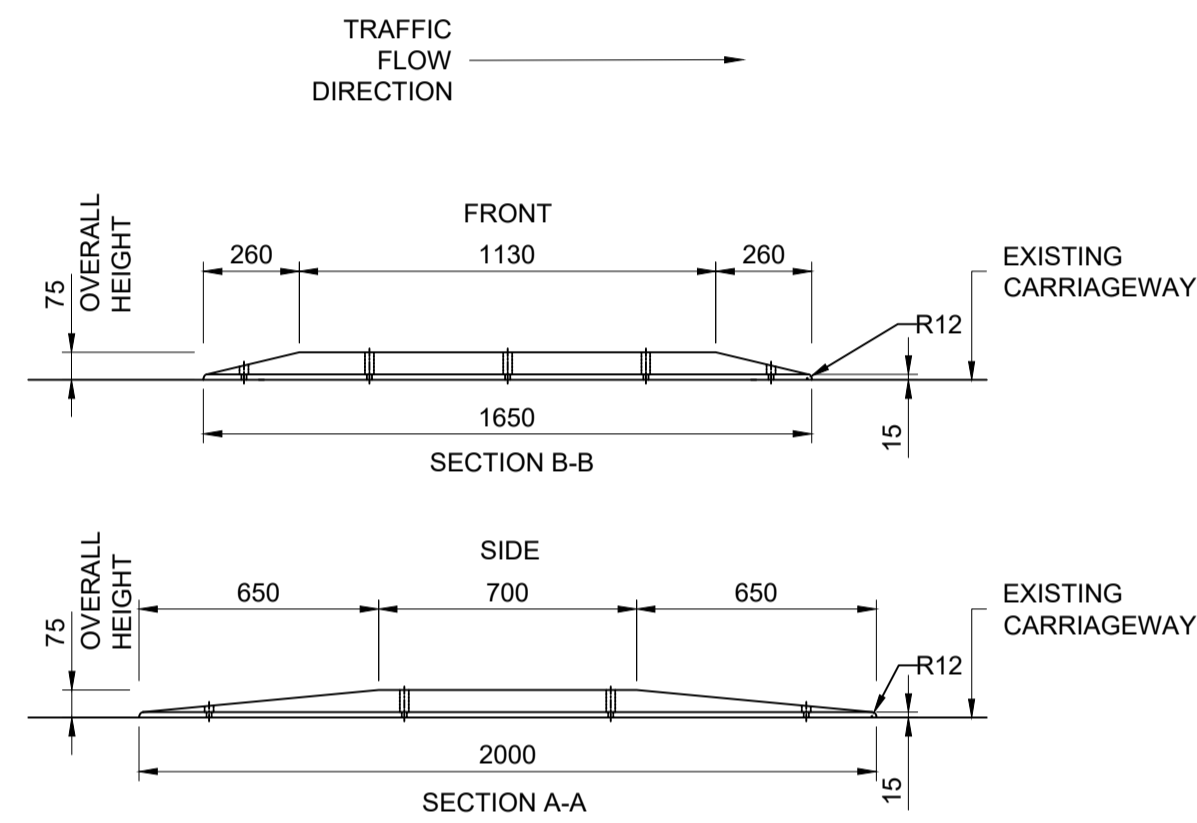
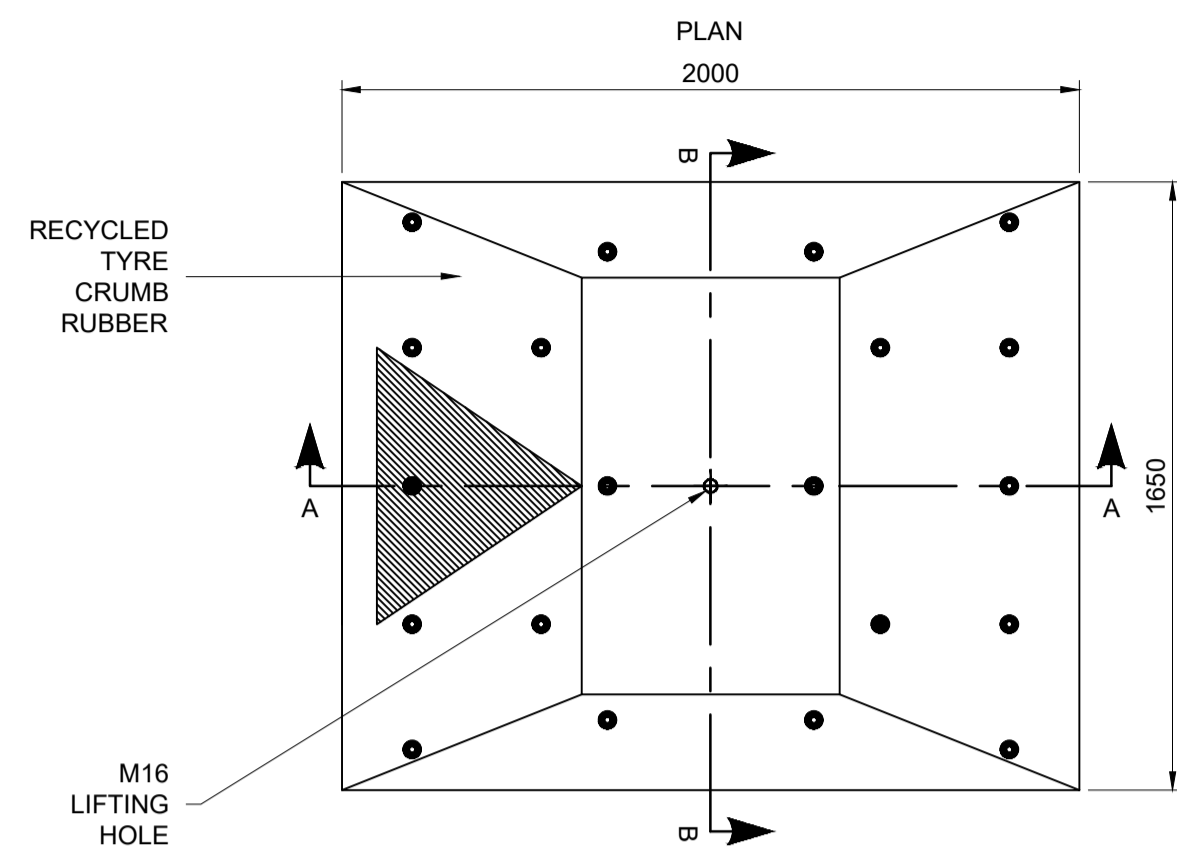
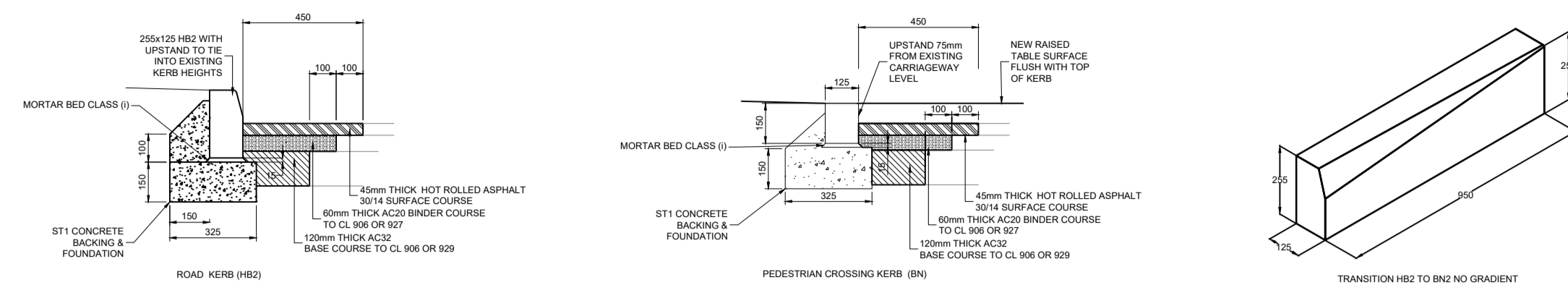


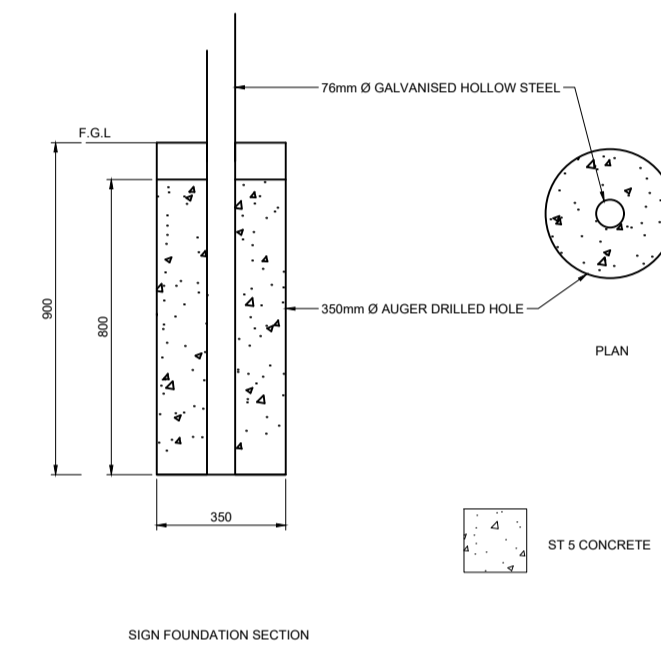
T:\001_Design Team\2003_Small_Schemes_Projects\HAS3001 Safer Routes To School\2021 - 2022 Schemes\Duncan Forbes Primary - YCHVS3015\2 DRAWINGS\CAD\LIVE\CHVS3015_LIVE_01.dwg 16/11/2021 ANSI A (8.50 x 11.00 inches)



DETAIL 01
SCALE 1:20



DETAIL 02
SCALE 1:10



DETAIL 03
SCALE 1:10



DETAIL 04
STOP, LOOK AND LISTEN MARKING (500 X 800mm)

COPYRIGHT, DESIGNS and PATENTS ACT 1988:
THIS DRAWING MAY NOT BE REPRODUCED, COPIED OR USED IN ANY WAY WITHOUT THE WRITTEN PERMISSION OF THE DIRECTOR OF DEVELOPMENT AND INFRASTRUCTURE.
© THE HIGHLAND COUNCIL
© CROWN COPYRIGHT AND DATABASE RIGHTS 2019 OS 100023369. YOU ARE GRANTED A NON-EXCLUSIVE, ROYALTY FREE, REVOCABLE LICENCE SOLELY TO VIEW THE LICENSED DATA FOR NON-COMMERCIAL PURPOSES FOR THE PERIOD WHICH THE HIGHLAND COUNCIL MAKES IT AVAILABLE. YOU ARE NOT PERMITTED TO COPY, SUB-LICENSE, DISTRIBUTE, SELL OR OTHERWISE MAKE AVAILABLE THE LICENSED DATA TO THIRD PARTIES IN ANY FORM. THIRD PARTY RIGHTS TO ENFORCE THE TERMS OF THIS LICENCE SHALL BE RESERVED TO THE OS.

DO NOT SCALE FROM DRAWING.
ALL DIMENSIONS ARE IN mm UNLESS OTHERWISE STATED.

NOTES

1.

CONSULTATION
ISSUE

01	CONSULTATION ISSUE	CF	BS	16/11/21
REV	REVISION DETAILS	DRAWN BY	CHECK BY	DATE



PROJECT DESIGN UNIT
COUNCIL BUILDINGS
HIGH STREET
DINGWALL IV15 9QN

PHONE: 01349 868800
E-MAIL: PDU.DT2@highland.gov.uk

PROJECT
CYCLING, WALKING AND SAFER STREETS AT DUNCAN FORBES PRIMARY

TITLE
CONSTRUCTION DETAILS SHEET 2 OF 2

DRAWN	CF	DATE	09/11/21
	BS	DATE	16/11/21
PROJECT No.		YCHVS3015	
DRAWING No.	103	REVISION	01