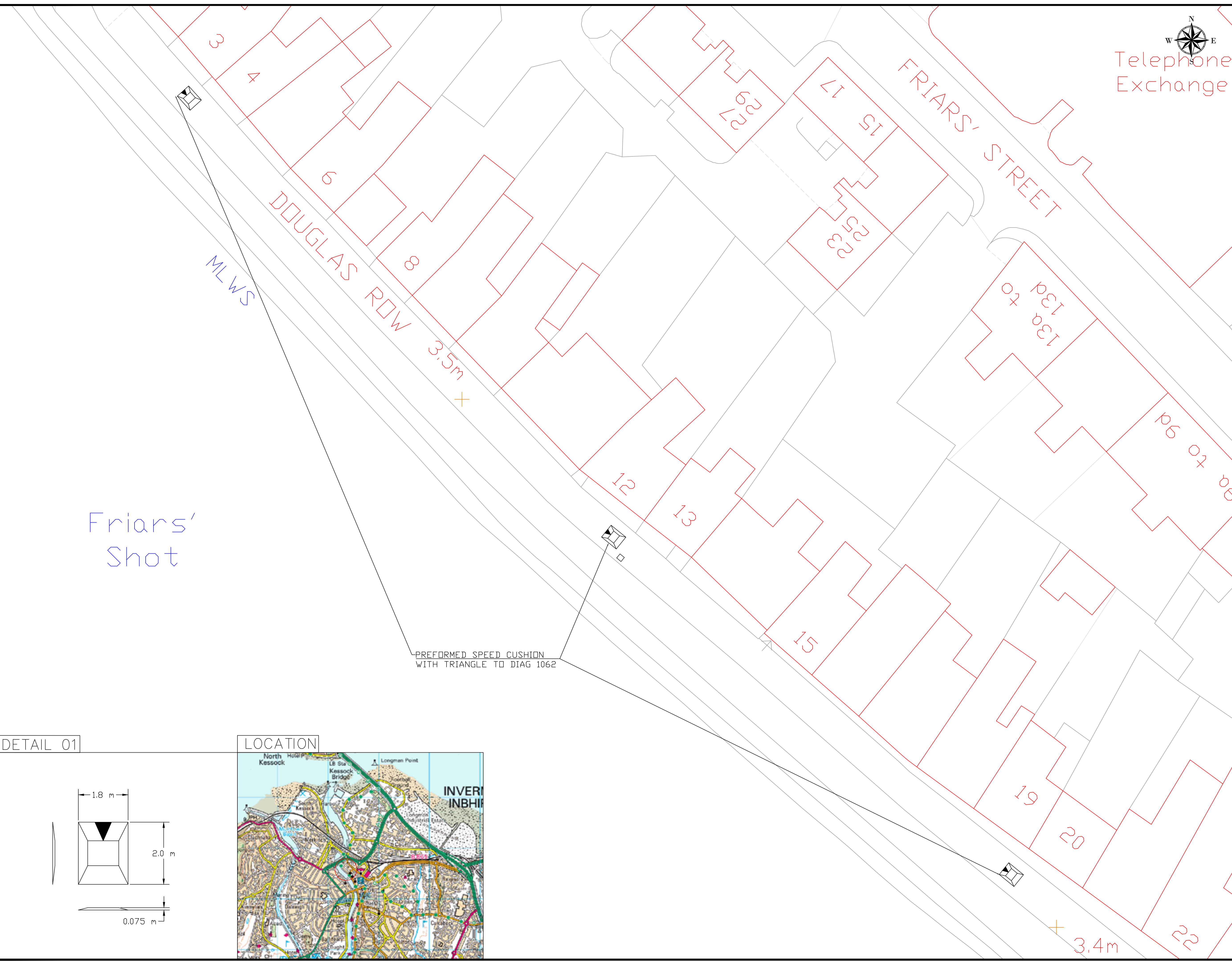


Telephone Exchange

COPYRIGHT, DESIGNS and PATENTS ACT 1986:
This drawing may not be reproduced, copied or used in any way without the written permission of the Director of Development & Infrastructure.
© THE HIGHLAND COUNCIL

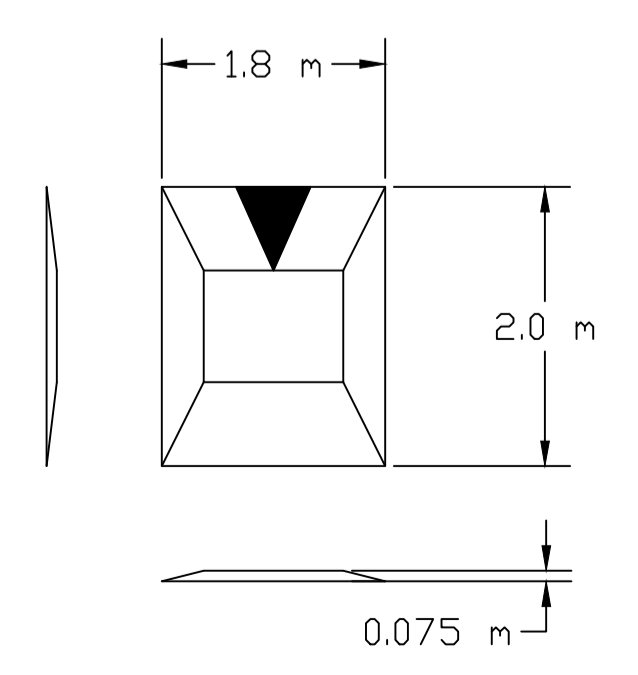
Notes
Reproduced from the Ordnance Survey mapping with the permission of the Controller of Her Majesty's Stationery Office © Crown Copyright.
Unauthorised reproduction infringes crown copyright and may lead to prosecution or civil proceedings.
The Highland Council 2023 05 000849432



Friars' Shot

PERFORMED SPEED CUSHION WITH TRIANGLE TO DIAG 1062

DETAIL 01



LOCATION



Revision Details			
Drawn By	Checked By	Check Date	Surf



INFRASTRUCTURE ENVIRONMENT & ECONOMY
ROAD SAFETY TEAM
HQ
GLENURQUHART ROAD
INVERNESS IV3 5NX
Phone : 01463 702962
E-Mail : ross.bartlett@highland.gov.uk

DOUGLAS ROW SPEED CUSHIONS

Title: **General Layout**

Scale (at A1): **N/S**

Drawn	RB	Date	02.10.2023
Checked	DRAFT	Date	

Project No:

Drawing No:	Rev:
-------------	------

C:\Users\rossb\The Highland Council\Road Safety Team - Area\Douglas Row - Traffic Calming\Douglas Row.dwg: 04/10/2023: ANSI A (8.50 x 11.00 inches)