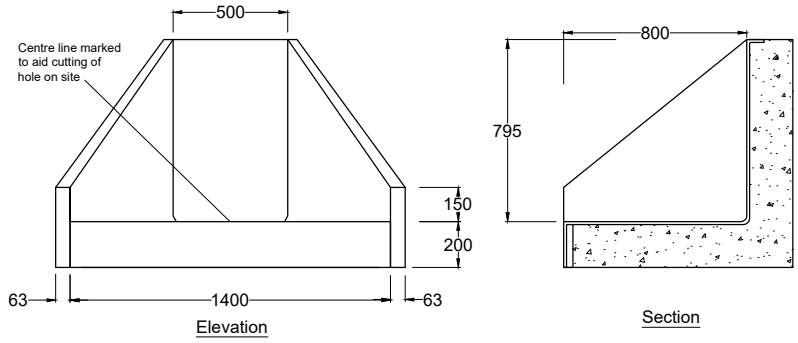


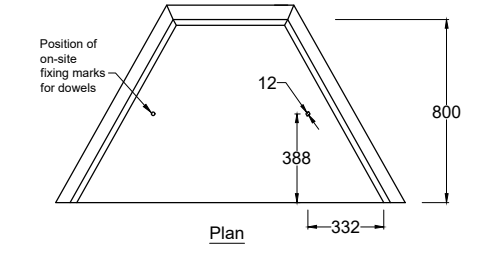
Notes

© Crown Copyright and database rights 2023 AC0000849432

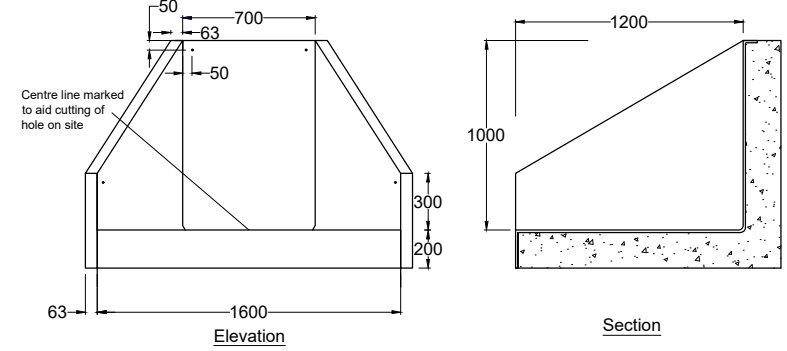
1. All dimensions are in millimeters unless otherwise stated.
2. Pre-cast concrete headwalls to be used in all cases, unless otherwise agreed by the Engineer.
3. Headwalls to be bedded and backed on min. 200mm C35 concrete or as specified by the Engineer.
4. This drawing is indicative only. Other sizes might be used with the Engineer's approval.
5. The Highland Council will generally not accept the installation of safety grills in headwalls. For alternatives to safety grills, see *CIRIA C786: Culvert, screen and outfall manual*.



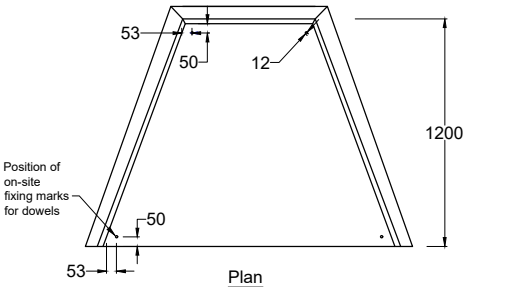
Pre-cast concrete 300 headwall



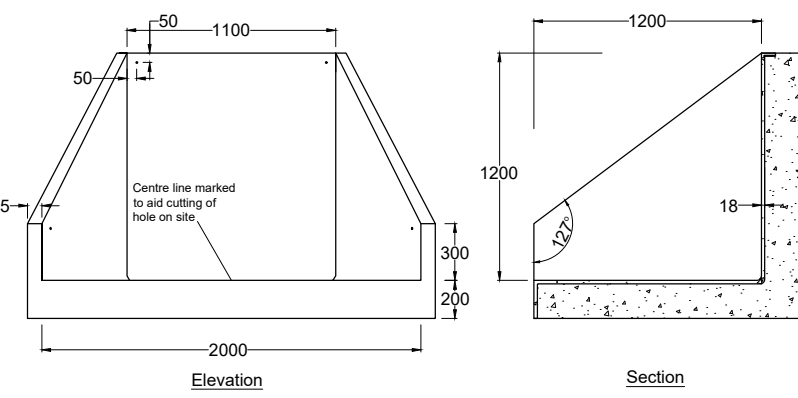
Pre-cast concrete 300 headwall



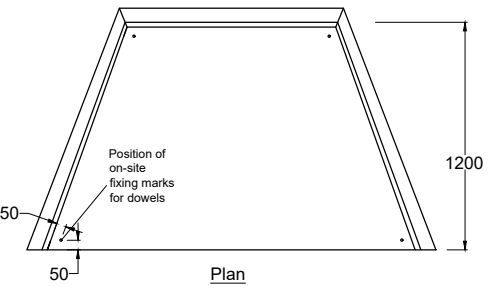
Pre-cast concrete 450 headwall



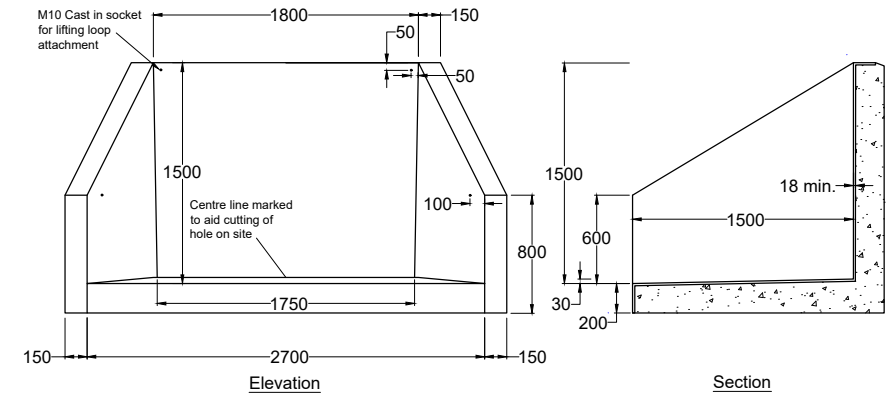
Pre-cast concrete 450 headwall



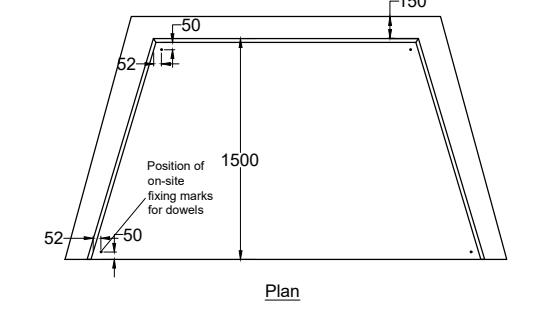
Pre-cast concrete 600 headwall



Pre-cast concrete 600 headwall



Pre-cast concrete 900 headwall



Pre-cast concrete 900 headwall

Revision Details			
Drawn by	Checked by	Check Date	Sufix



Project: Standard details. Series 0500:
 Drainage and service ducts

Title: Pre-cast concrete headwalls

Scale (at A4): Not to scale

Drawn	JC	Date	11/2023
Checked	CHK	Date	11/2023

Drawing No: SD/0500/08 Rev: 1