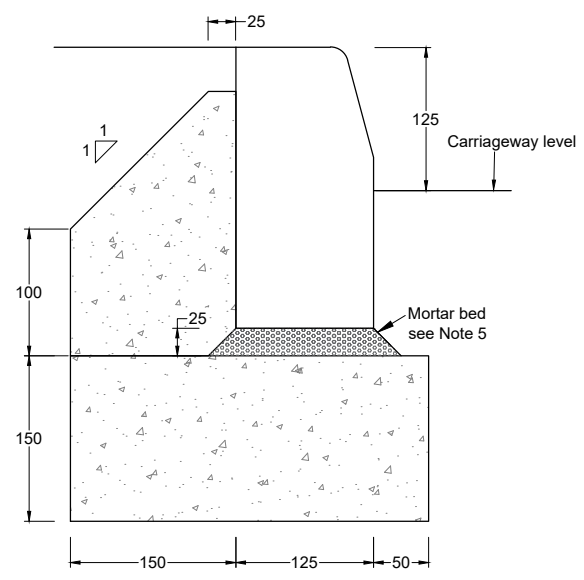
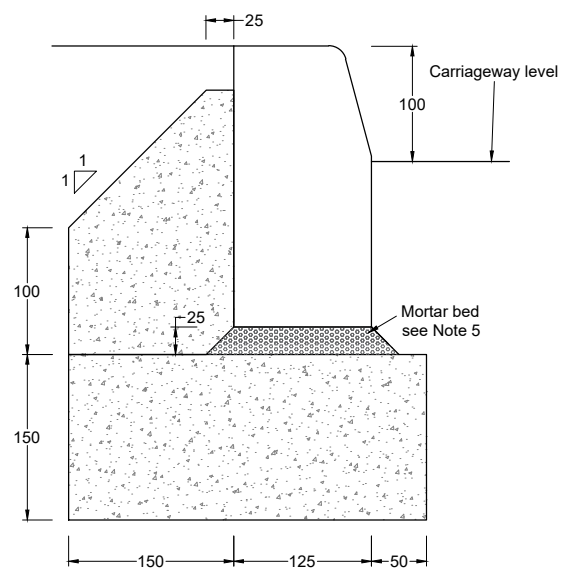


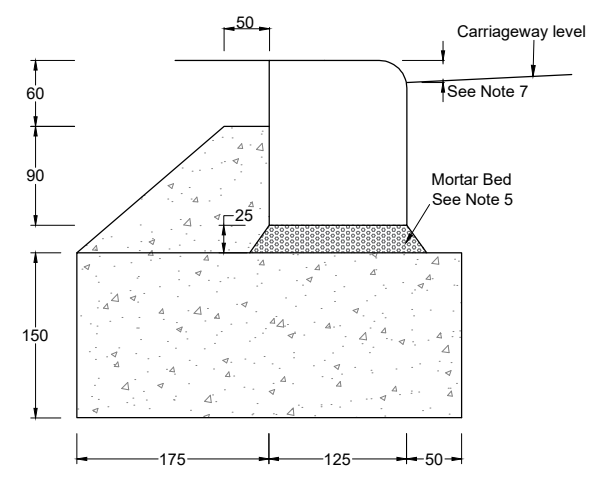
- Notes**
1. All dimensions in millimetres unless otherwise stated.
  2. The specification referred to in this drawing is the *Specification for Highway Works (SHW)* published by T.S.O. (The Stationery Office).
  3. Kerb types to BS EN 1340:2003 and SHW CI 1101.
  4. Foundations and haunchings concrete Class ST2 to SHW CI 1101. The haunching concrete must be placed within one hour of laying the concrete bed.
  5. Mortar designation and mixes to Table 24/1 of SHW CI 2404. Kerbs are not to be laid on a race of fresh concrete as stated in the SHW, para 4, (1).
  6. Precast concrete kerbs, channels, edgings and quadrants shall be laid and bedded in accordance with BS 7533-6 for raised kerbs and quadrants or in accordance with BS 7533-4 for flush kerbs and channels.
  7. BN5 Kerb upstand 6mm for pedestrian crossings or 25mm for private vehicular access.
  8. Kerbs to be hydraulically pressed.
  9. For kerbing on bridge decks consult Structures Team.



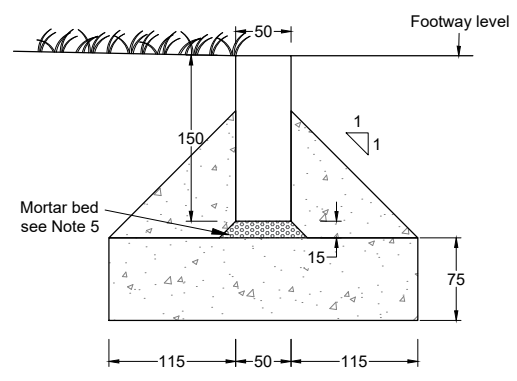
STANDARD 125x255mm HALF BATTER KERB (HB1)



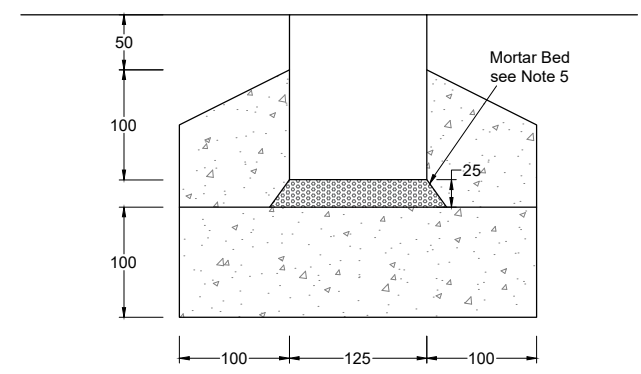
STANDARD 125x255mm HALF BATTER KERB IN RESIDENTIAL AREAS (HB2)



STANDARD 125x150mm BULLNOSED KERB (BN5)



STANDARD 50x150mm FLAT TOP EDGING KERB (FT)



STANDARD 125x150mm CHANNEL (CS2)

Revision	Details	Drawn by	Checked by	Check Date	Check Date	Check Date	SuFx



Project: Standard details. Series 1100:  
 Kerbs, footways, cycleways and paved areas

Title: Pre-cast concrete kerb details: Sheet 1

Scale (at A4): Not to scale

Drawn	JC	Date	09/2023
Checked	CHK	Date	09/2023

Drawing No:	SD/1100/01	Rev:	1
-------------	------------	------	---