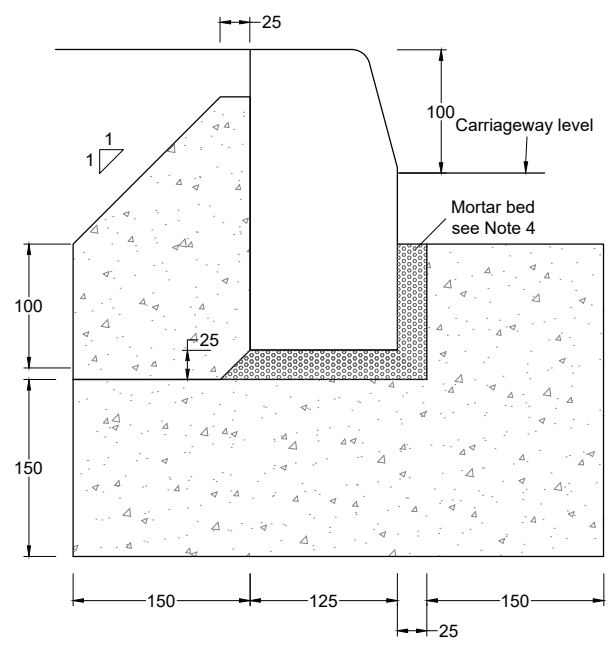
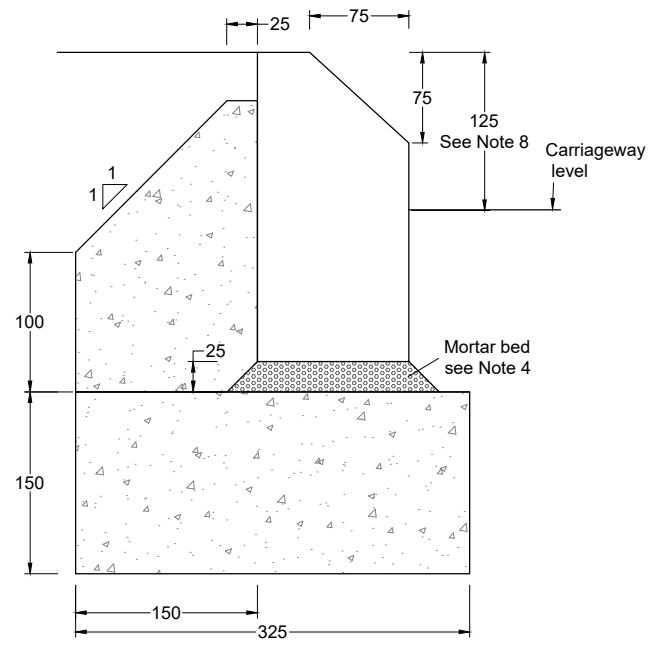


Notes

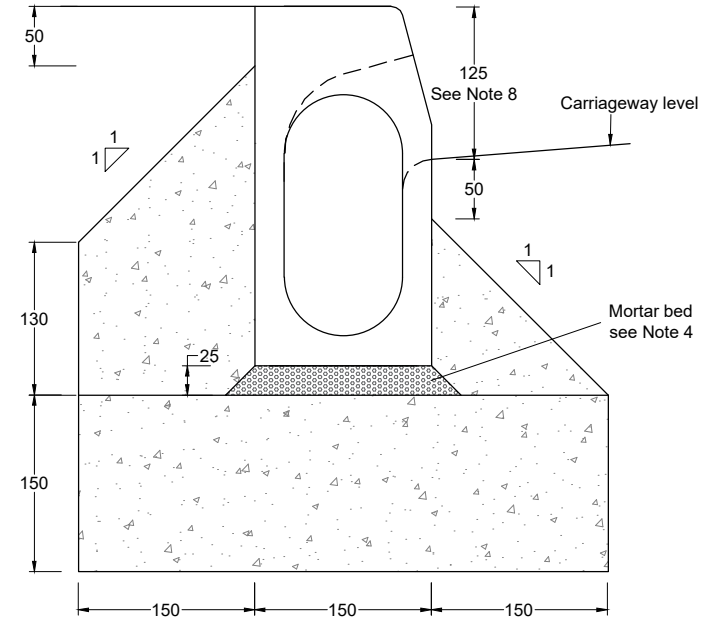
- © Crown Copyright and database rights 2023 AC0000849432
- 1. All dimensions in millimetres unless otherwise stated.
- 2. The specification referred to in this drawing is the *Specification for Highway Works (SHW)* published by T.S.O. (The Stationery Office).
- 3. Foundations and haunchings concrete Class ST2 to SHW Cl 1101. The haunching concrete must be placed within one hour of laying the concrete bed.
- 4. Mortar designation and mixes to Table 24/1 of SHW Cl 2404. Kerbs are not to be laid on a race of fresh concrete as stated in SHW, para 4, (1).
- 5. Precast concrete kerbs, channels, edgings and quadrants shall be laid and bedded in accordance with BS 7533-6 for raised kerbs and quadrants.
- 6. Kerb types to BS EN 1340:2003 and SHW Cl 1101.
- 7. Kerbs to be hydraulically pressed.
- 8. Kerb upstand to be 100mm in residential areas.
- 9. Where combined drainage kerbs are proposed or where alternative combined drainage kerbs are proposed other than specified, the developer/contractor shall provide the following for approval:
 - a. Design calculations based on manufacturers design standards;
 - b. Details and spacing of outfalls, silt traps, access covers etc;
 - c. Standard details showing construction and laying specification.
- 10. For kerbing on bridge decks consult Structures Team.



STANDARD 125x255mm HALF BATTER KERB IN RESIDENTIAL AREAS (HB2) WITH KICKER



STANDARD 125x255mm SPLAYED KERB (SK)



150x305mm COMBINED DRAINAGE KERB (DK)

Revision Details			
Drawn by	Check by	Check Date	Check Sufix



Project Standard details. Series 1100:
 Kerbs, footways, cycleways and paved areas

Title Pre-cast concrete kerb details: Sheet 3

Scale (at A4) Not to scale

Drawn	JC	Date	09/2023
Checked	CHK	Date	09/2023

Drawing No:	SD/1100/03	Rev:	1
-------------	------------	------	---