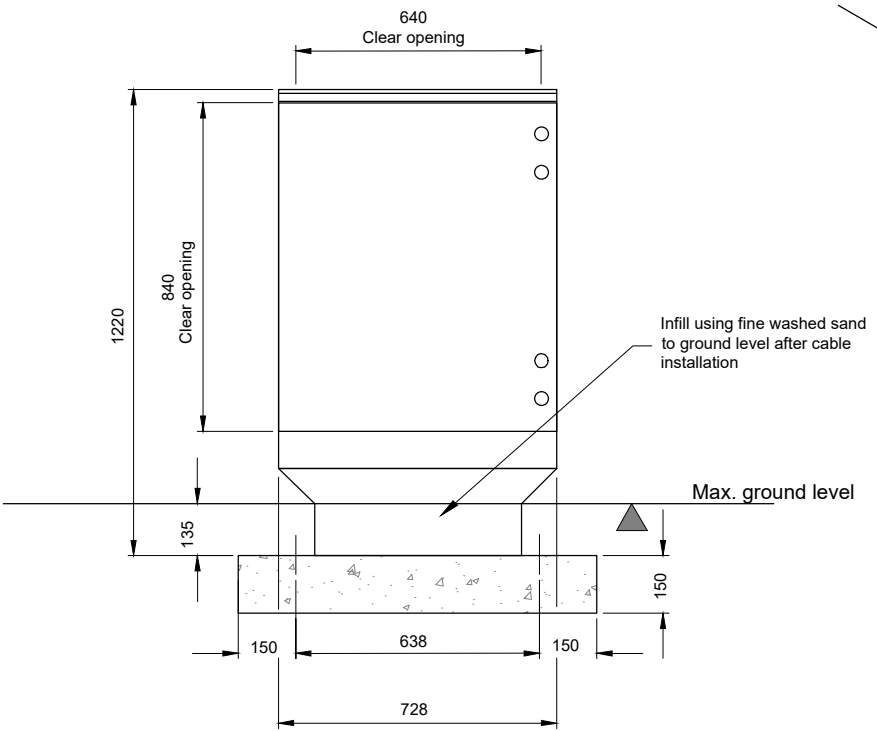
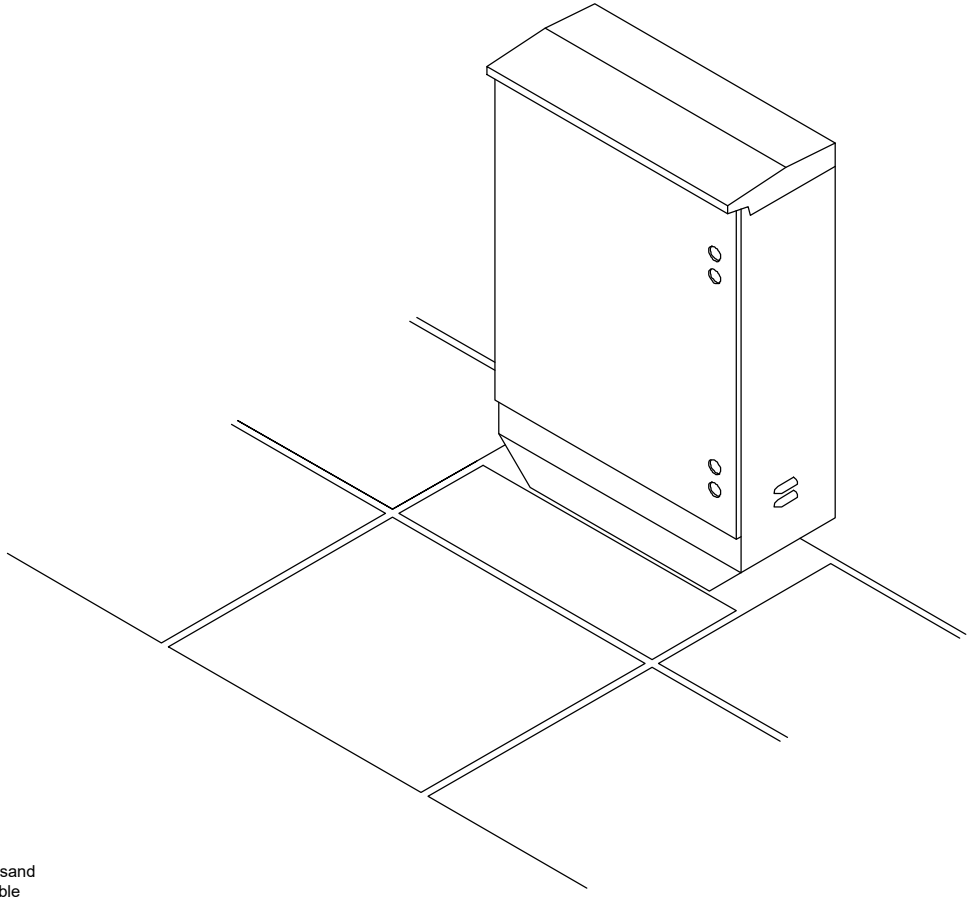
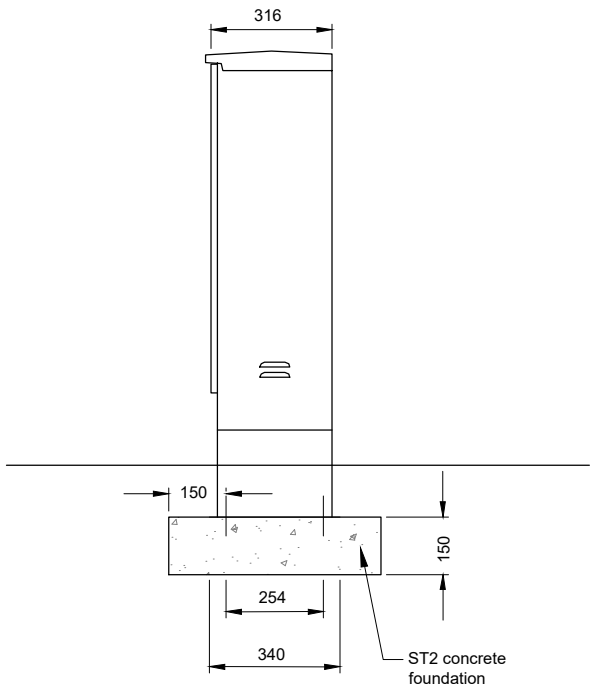


Notes

- © Crown Copyright and database rights 2023 AC0000849432
- 1. All dimensions in millimeters unless otherwise stated.
- 2. The specification referred to in this drawing shall be the Specification for Highway Works (SHW) published by T.S.O. (The Stationary Office).
- 3. Cabinet shall be mounted in ST2 concrete to SHW Clause 1418.8.
- 4. Cable entry shall be a 100mm dia. uPVC duct.
- 5. All equipment shall be to approval of The Highland Council.
- 6. All equipment shall be sited within the road boundary.
- 7. Reinstatement to excavations in paved areas shall use Type 1 Sub-base to SHW Clause 803 up to formation level.
- 8. A hard standing area comprising concrete paving slabs or similar approved shall be laid in front of door in verges.
- 9. Cabinet shall be painted with two coats of gloss paint to BS4800. Colour as specified by The Highland Council.
- 10. Copper earth electrode shall be installed when required by The Highland Council.



Cabinet to be bolted to foundation using 4No. 12x100 Ragbolts or rawbolts

Revision Details			
Drawn by	Check by	Check Date	SurfX



Project: Standard details.
 Series 1200: Traffic signs

Title: Signal controller cabinet. Foundation detail

Scale (at A4): Not to scale

Drawn	JC	Date	05/2024
Checked	CHK	Date	05/2024

Drawing No:	SD/1200/02	Rev:	1
-------------	------------	------	---