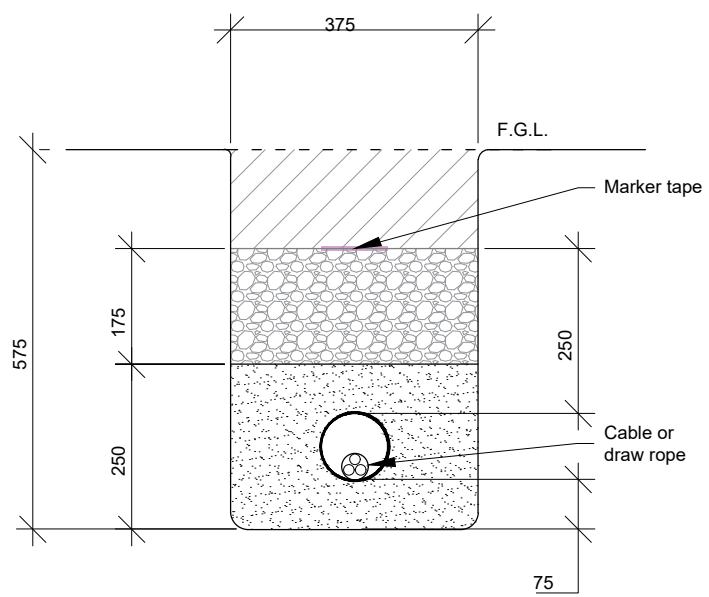
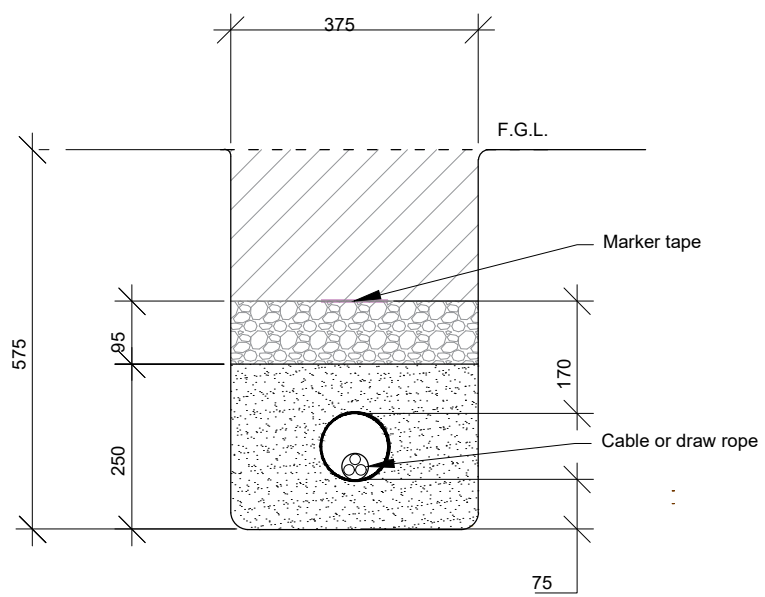


Notes

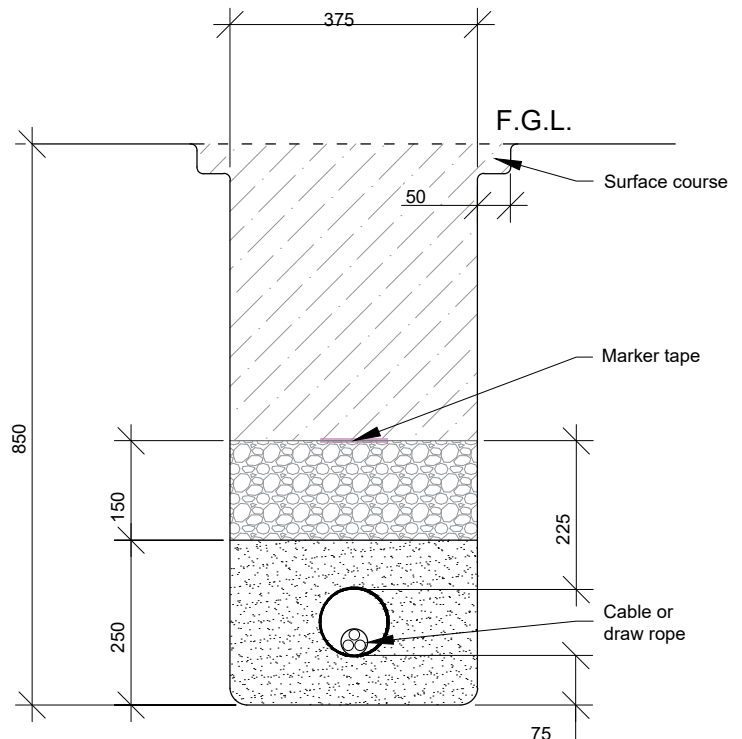
- © Crown Copyright and database rights 2023 AC0000849432
- All dimensions in millimeters.
 - The specification referred to in this drawing is the Specification for Highway Works (SHW) published by T.S.O. (The Stationery Office).
 - Refer to The Highland Council's Street Lighting Contract Appendix 7.2 and Roads and Transport Guidelines for New Developments for further detail on reinstatements.
 - Ducts shall be 100mm internal diameter, plastic, smooth bore, corrugated, purple in colour, to EN50086-2-4 (type 450n).
 - All ducting to be 100mm internal diameter, except for short patch sections between the main duct and column entry which is to be 60mm internal diameter.
 - Purple PVC or polythene marker tape. The tape shall be printed in black with the wording "CAUTION - STREET LIGHTING CABLE BELOW".
 - In verges, PVC marker tape to be placed 150-200mm below ground level.
 - In verges, original topsoil and turf shall be used for reinstatement where applicable.
 - Consult Highland Council Structures Team as well as Street Lighting Department where ducts are on or near road structures (e.g. bridges, retaining walls).





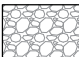

VR1 - Verge duct and cable



FT1 - Footpath duct and cable



CT1 - Carriageway duct and cable

-  Reinstatement as per Drawings SD/1100/04 and SD/1100/05
-  Reinstatement as per Drawing SD/0700/03
-  Type 1 Sub-base to SHW Cl 803
-  Well graded sand passing a 2mm sieve

Revision Details	Drawn by	Checked by	Check Date	SubPc



Project: Standard details. Series 1400:
 Electrical work for road lighting and traffic signs

Title: Duct and cable. Trench detail

Scale (at A4): Not to scale

Drawn	JC	Date	05/2024
Checked	CHK	Date	06/2024

Drawing No: SD/1400/01 Rev: 1