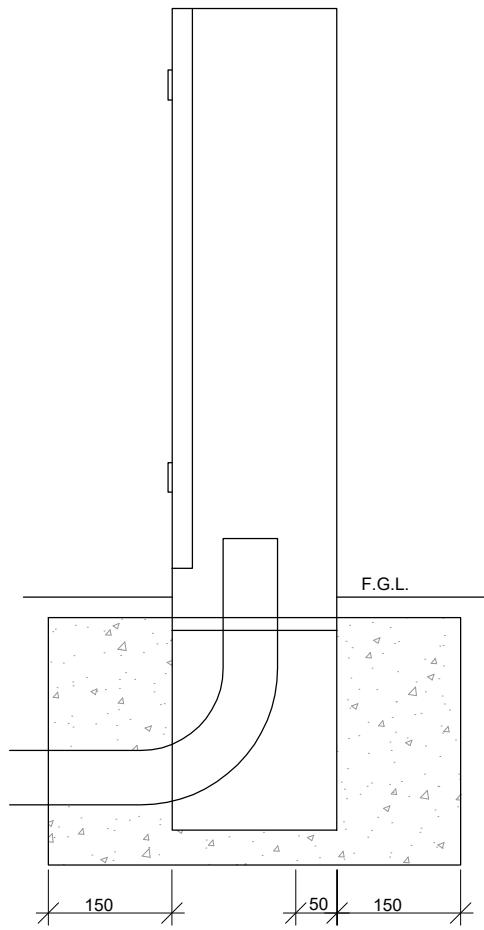
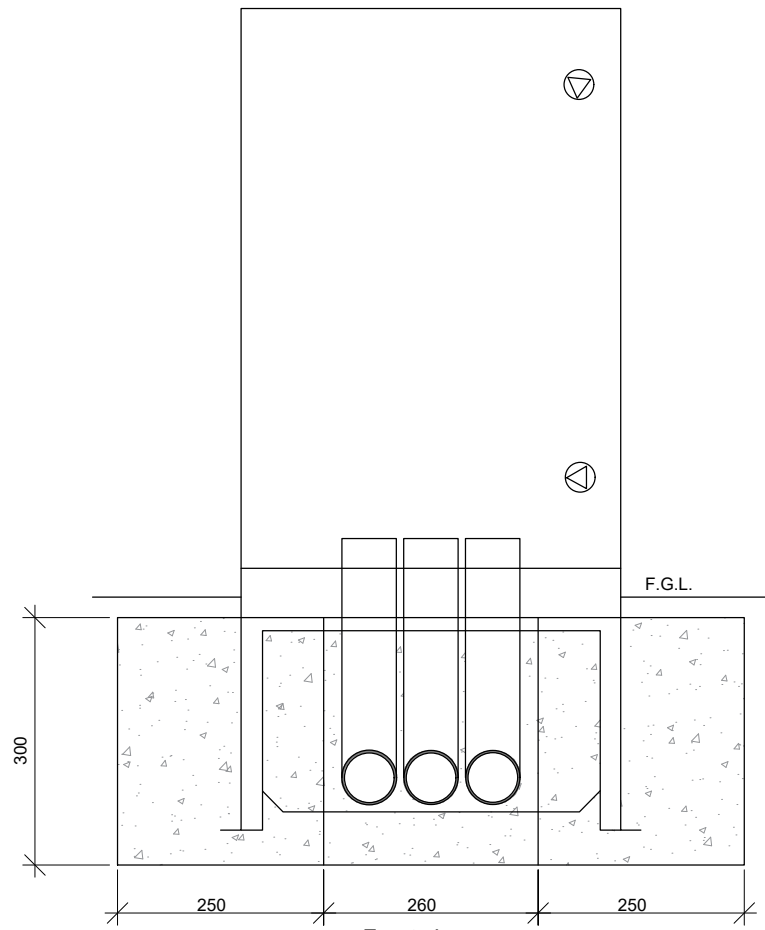


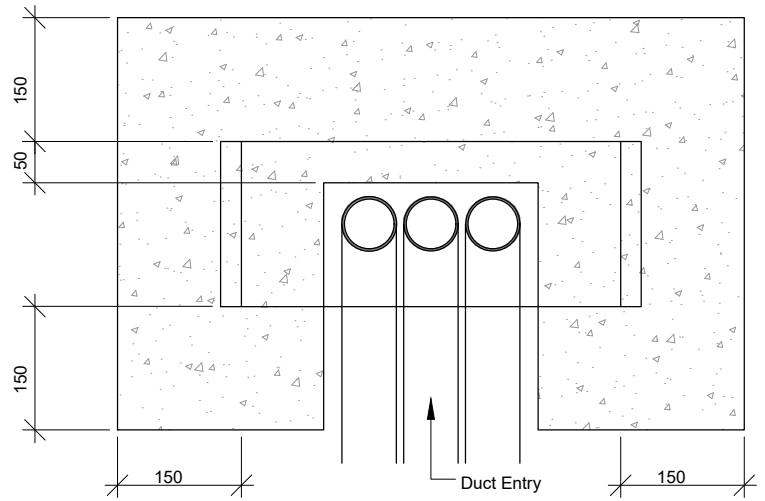
Notes
 © Crown Copyright and database rights 2023 AC0000849432
 1. All dimensions in millimeters.



Side view



Front view



Top view

 ST5 Concrete

Revision Details			
Drawn by	Checked by	Check Date	Surfs



Project: Standard details. Series 1400:
 Electrical work for road lighting and traffic signs

Title: Standard feeder foundation

Scale (at A4): Not to scale

Drawn	JC	Date	05/2024
Checked	CHK	Date	06/2024

Drawing No:	SD/1400/02	Rev:	1
-------------	------------	------	---