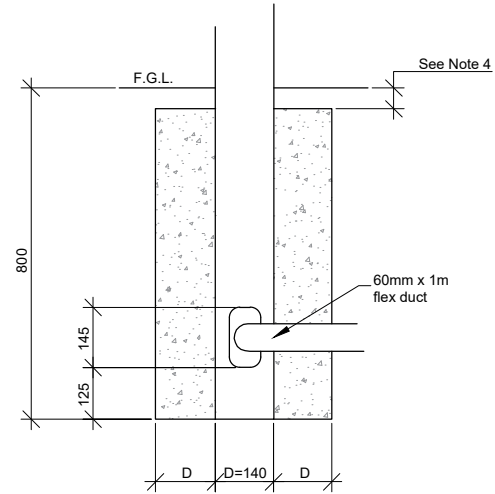
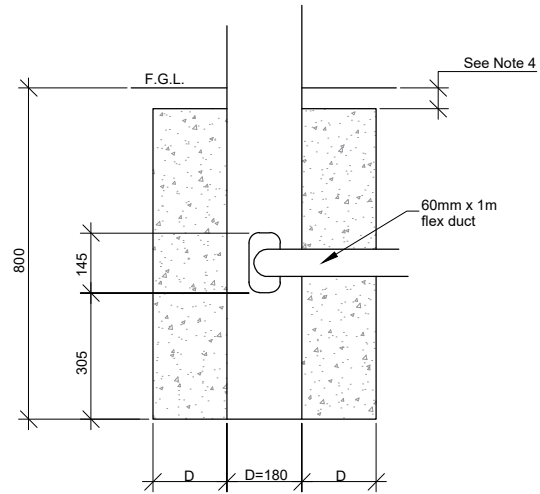


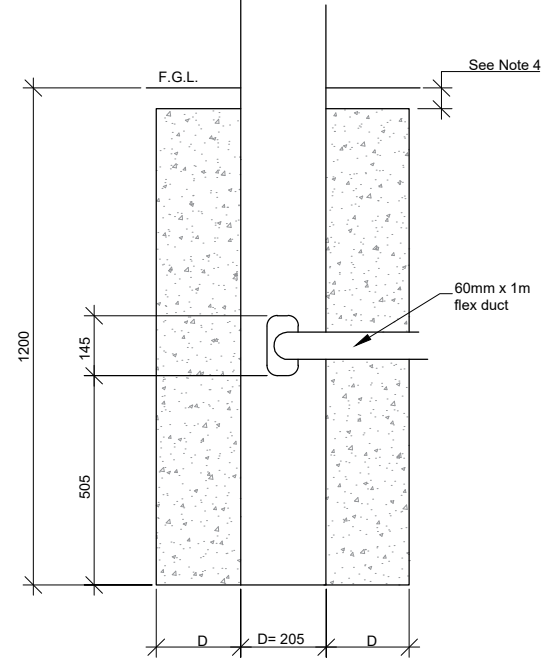
- Notes**  
 © Crown Copyright and database rights 2023 AC0000849432
- All dimensions in millimeters.
  - D = Diameter of Column base.
  - Cables in 60mm duct at entry to column.
  - Depth varies dependant on material required as follows:  
 -50mm close graded surface course  
 -50mm ST5 Concrete  
 -100mm Topsoil Class 5A



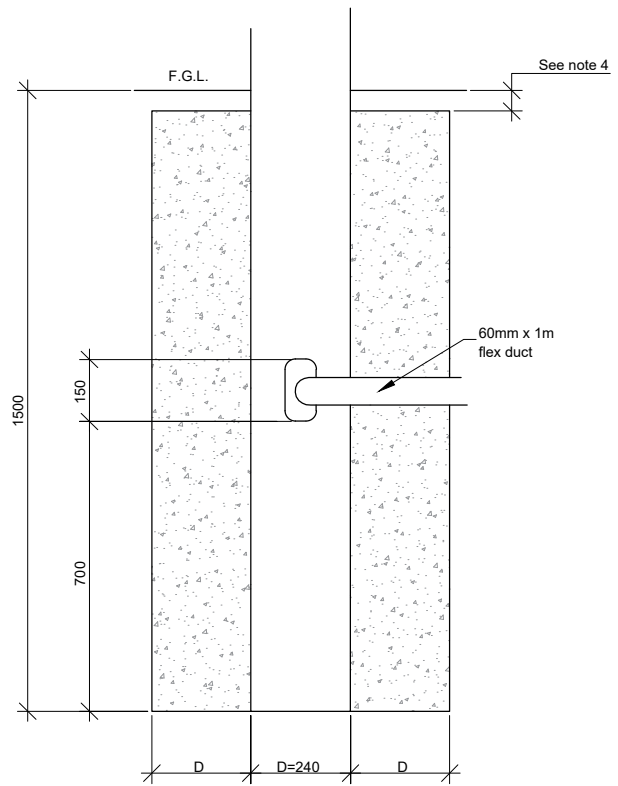
**4m column**



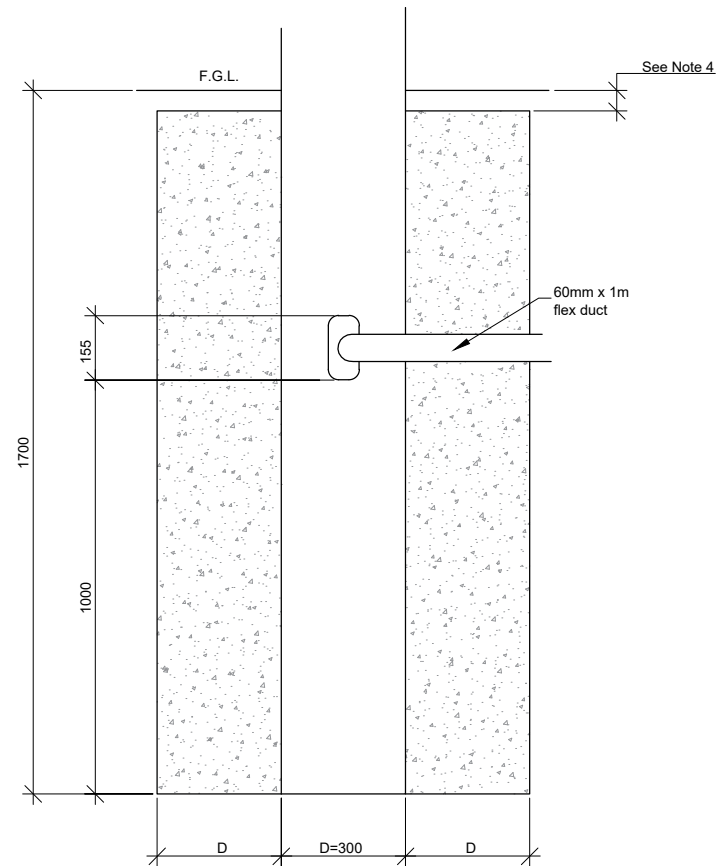
**5m column, 5m collapsible column**



**6m column**



**8m column**



**10m column**



Revision Details			
Drawn by	Check by	Check Date	Surfx



Project	Standard details. Series 1400: Electrical work for road lighting and traffic signs		
Title	Steel column foundation		
Scale (at A4)	Not to scale		
Drawn	JC	Date	09/2024
Checked	CHK	Date	05/2024
Drawing No:	SD/1400/05	Rev:	1